

# INSTALLATION MANUAL



**ideal roofing**  
Company Limited, Manufacturers

Head Office  
1418 Michael St.,  
Ottawa, Ont., Canada K1B 3R2  
TOLL FREE 1-800-267-0860  
TEL. 1-613-746-3206  
FAX 1-613-746-0445

# Contents

	<b>Page</b>
Installation, Storage, Tools.....	2
Safety Tips, Maintenance, Touch Up Paint, Important Notice..	3
Direction of Application.....	4
Installation Details Overview.....	5
Eave and Gable Details.....	6
Wall Flashing Details.....	7
Valley Detail.....	8
Cottage Roof Details.....	9
Transition Flashing Detail (high to low pitch).....	10
Transition Flashing Details (low to high pitch).....	11
Ridge Details.....	12
Half Ridge Cap Details.....	13
Plumbing Vent and Hydro Mast Details.....	14
Snow Guard Detail.....	15
Flashings & Trims.....	16
Appendix "A" – Roof Bracket.....	17
Estimate Sheet.....	18-19



## ***Installation***

- The “**Wakefield Bridge**” steel shingles must be installed on roofs with a minimum pitch of 4/12.
- For the best results, **Ideal Roofing** recommends the removal of the asphalt shingles prior to installing the “**Wakefield Bridge**”. First inspect the deck underneath and replace any damaged decking then apply the underlayment. Consult your local distributor for the choice of the appropriate underlayment.
- For re-roofing over existing asphalt shingles, inspect the deck underneath to ensure a solid base. Correct or remove curled up shingles then apply a synthetic waterproof underlayment before installing the “**Wakefield Bridge**”. **This application requires 1 ½” long screws and starter #815.**
- For new construction and in climates that experience freezing temperatures and (or) high winds, use waterproof peel and stick membrane on the first 36” from the eave, 12” from the edge of the gable, 36” on each side of the valley, 12” around skylights and chimneys. For the remainder of the roof, use synthetic waterproof underlayment. On roofs with multiple slope variations and dormers, the use of peel and stick membrane on the entire roof surface is highly recommended. Consult your local distributor for the choice of the appropriate underlayment. **This application requires the starter #815.**

## ***Storage***

- Storage time should be minimized by installing the metal shingles as soon as possible. If shingles must be stored for an extended period, the ideal storage place is under a roof in a cool, dry and well ventilated area.
- When outdoor storage is unavoidable, the following is recommended:
  - 1- Use good quality covers over stacks,
  - 2- Block bundles off the ground,
  - 3- Store away from chemically aggressive substances (e.g. salt, cement, fertilizer, diesel, oil, paint, and grease).

## ***Tools***

- Electric screw gun with adjustable torque.
- Tin snips or nibblers.
- Measuring tape.
- Screw (nail) apron.
- Rubber mallet.
- Locking sheet metal pliers (“Vice Grip” type).
- Folding tool.



## ***Safety Tips***

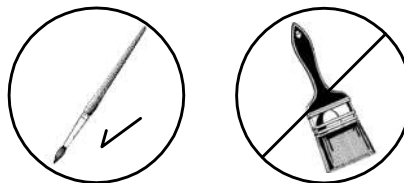
- *Working gloves.*
- *Proper eye protection.*
- *Hard hat.*
- *Rubber-soled shoes (Steel roofing can be slippery when wet or icy).*
- *Properly secure material on the roof.*
- *Safety harness.*
- *Knee pads.*
- *Avoid installing on a windy day.*
- *Avoid having loose materials and tools on the roof.*
- *Avoid walking on the locks/seams of the shingles.*
- *Secure area below work.*
- *Use proper attachment for fall protection.*

## ***Maintenance***

- *When walking on the roof, avoid stepping on the interlocks of the steel shingles.*
- *To avoid scratching the paint on the “Wakefield Bridge” Steel Shingles, make sure to clean up the bottom of your rubber-soled shoes from any stones or debris before stepping on the roof*
- *Inspect and remove any debris (leaves, nails, ...) on an annual basis*

## ***Touch Up Paint***

- *In the event of minor scratches, the installer should use a fine detail brush to cover only the scratch using minimum amount of paint. For multiple scratches or major paint damage, replace immediately the affected panels.*



***Note:** The shine of the touch up paint might have a slight difference from the original pre painted steel.*

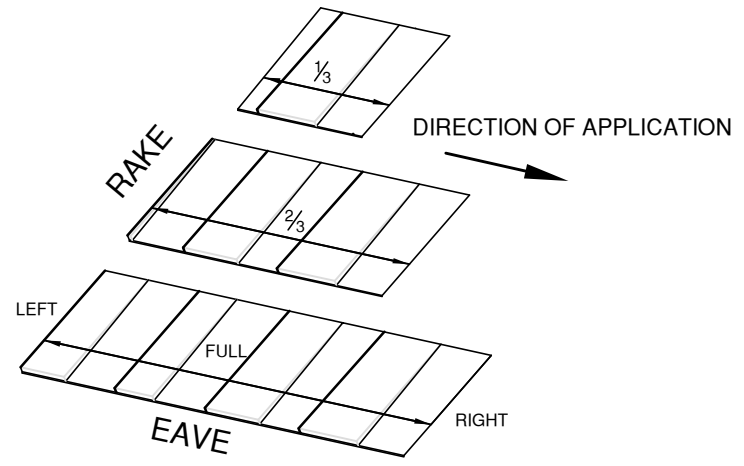
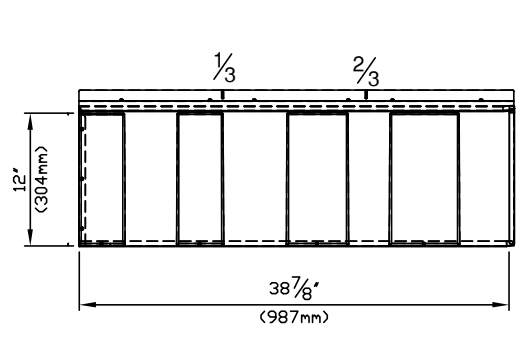
## ***Important Notice***

- *When ordering pre-painted “Wakefield Bridge” Steel Shingles, it is always preferable to order all items of the same colour at the same time to avoid slight colour differences between batches.*
- *The material should be checked against the shipping list as soon as it is received. Any damage or shortage of material on the bill of lading should be noted and reported to the driver or to our offices immediately.*
- *Do not use pressure treated lumber in direct contact with the “Wakefield Bridge”.*
- *Ideal Roofing will deliver the “Wakefield Bridge” steel shingles to its dealers only. No job site delivery will be done by Ideal Roofing.*

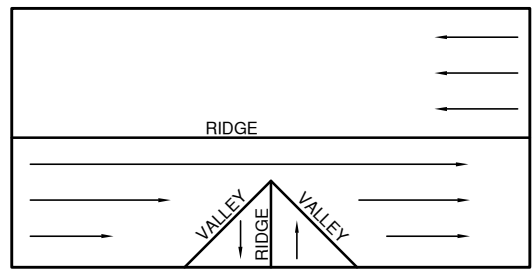
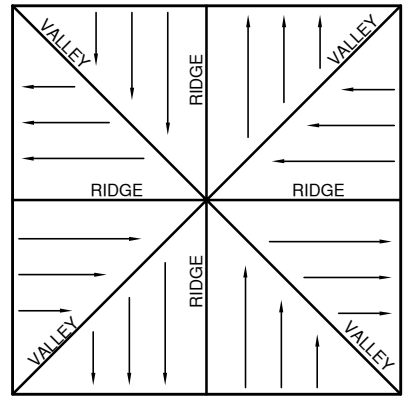
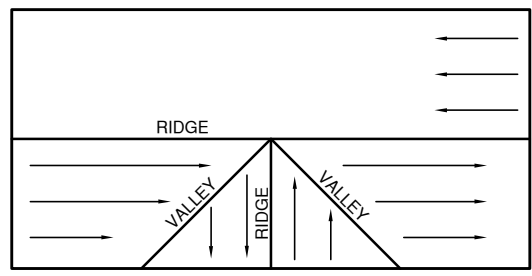
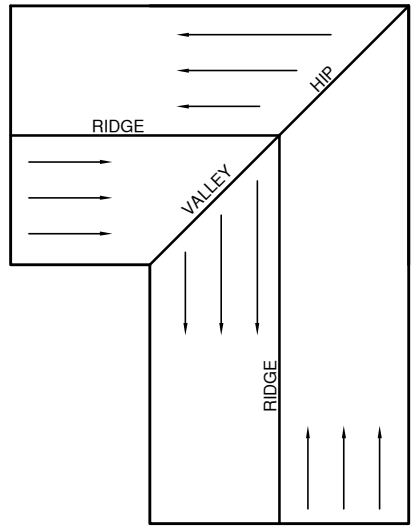
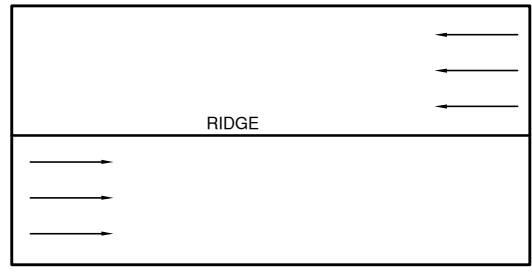


# Direction of Application

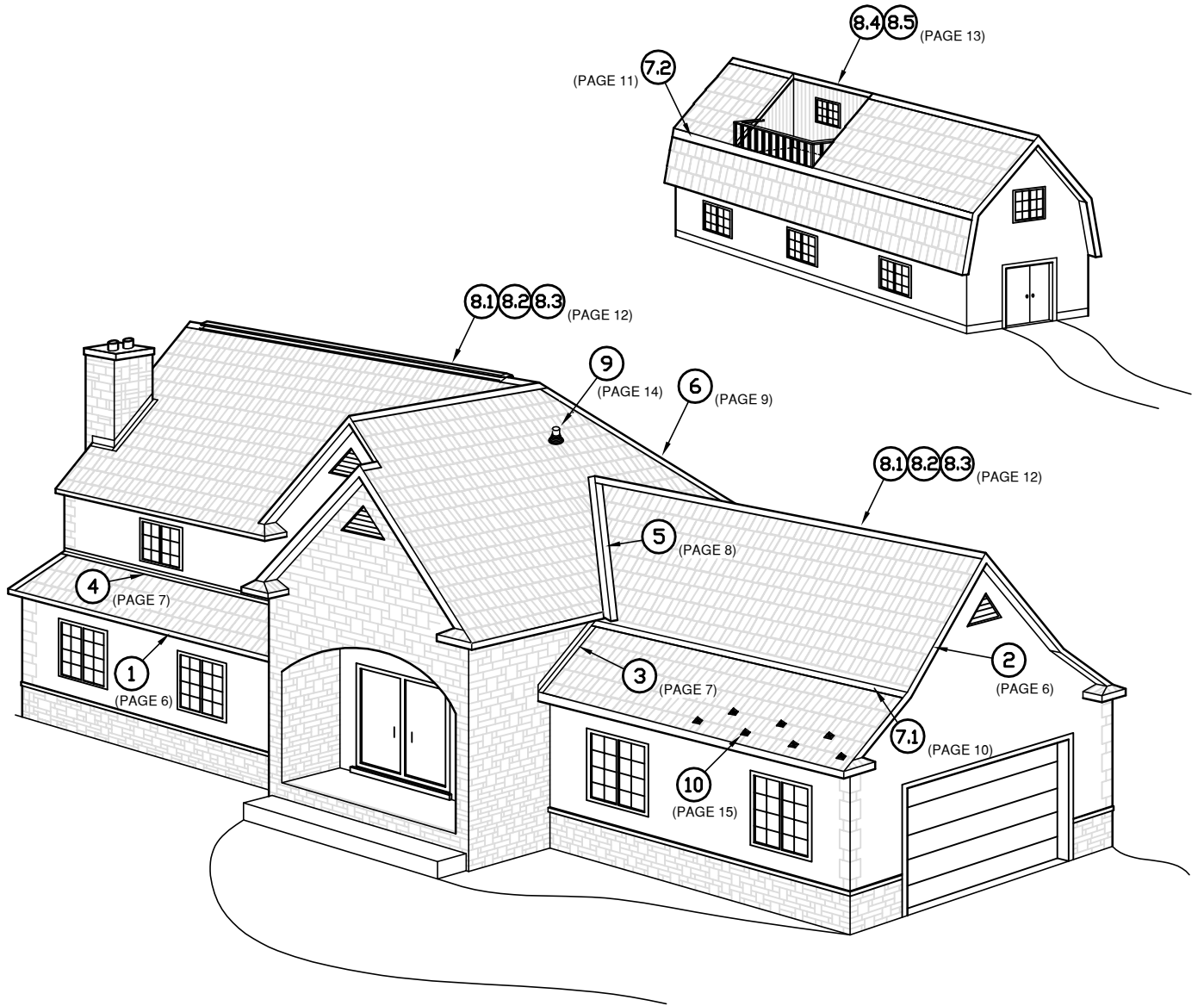
The "Wakefield Bridge" Steel Shingles must be installed from left to right. Ideal Roofing recommends (for aesthetic reasons only), to start with a full panel on the first row, 2/3 and 1/3 of panel to start the second and third row. Repeat the steps for the remainder of the roof section.



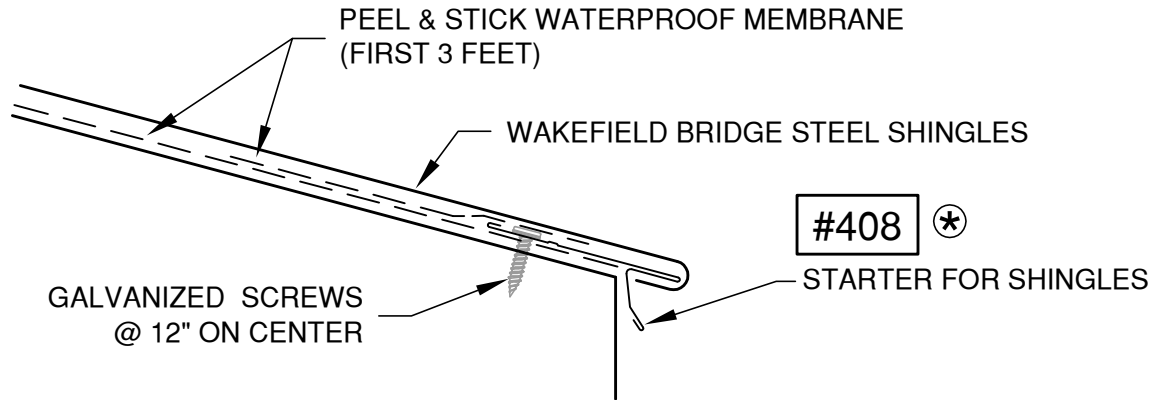
## ROOF TYPES: PLAN VIEWS



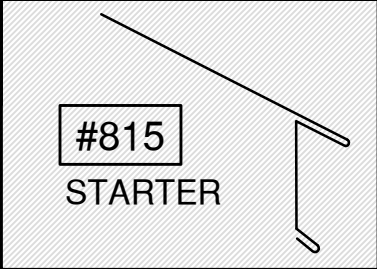
# INSTALLATION DETAILS OVERVIEW



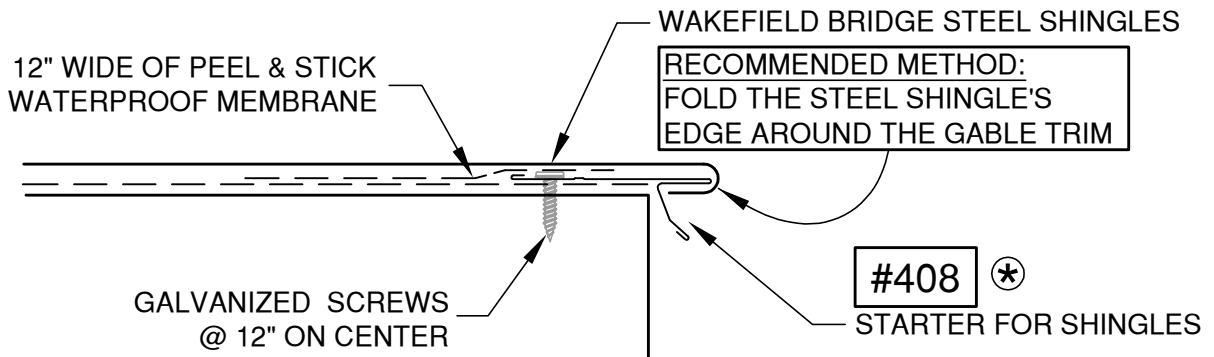
# 1 EAVE DETAIL



\* FOR NEW CONSTRUCTION OR ON EXISTING SHINGLES, USE THE #815

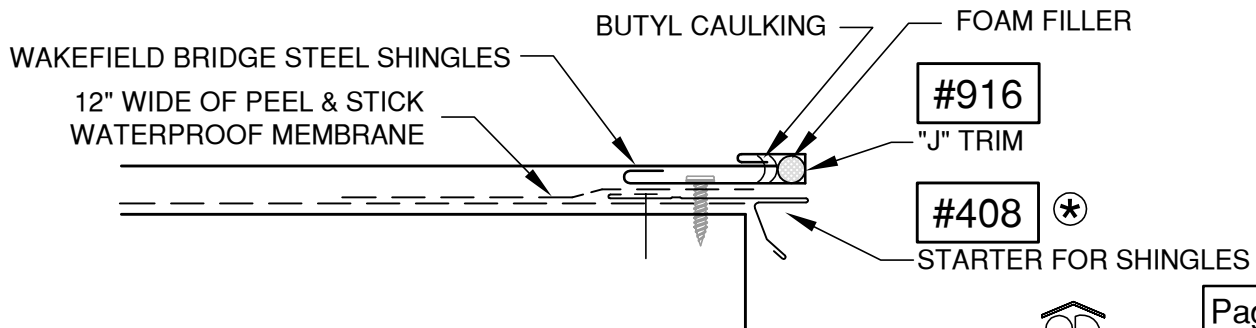


# 2 GABLE END DETAIL (first and last panel)

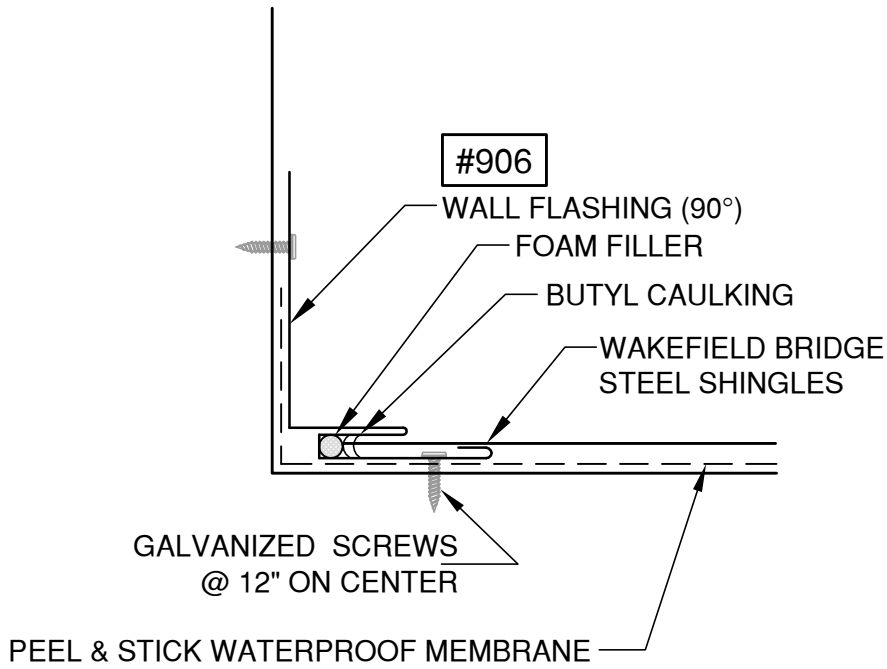


## OPTION:

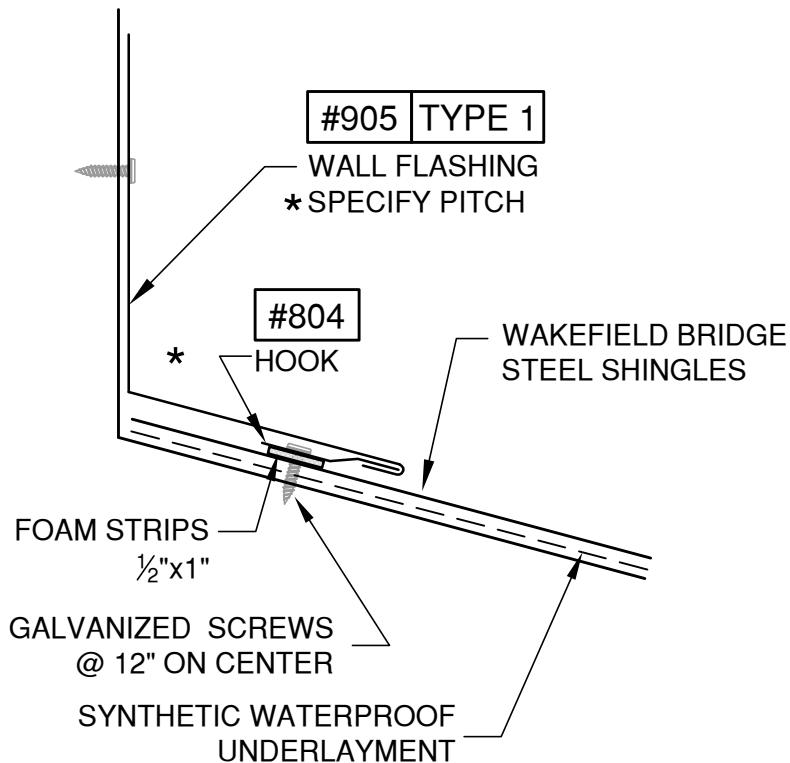
- THE #916 "J" TRIM IS AVAILABLE FOR THE ROOFER WHO WISHES TO INSTALL THE WAKEFIELD BRIDGE SHINGLES WITHOUT HAVING THE NEED TO FOLD THE STEEL SHINGLES ALONG THE GABLE'S STARTER TRIM.
- MAKE SURE TO COMPLETELY FILL THE #916 "J" TRIM WITH BUTYL CAULKING IN ORDER TO AVOID THE POSSIBILITY OF HAVING THE "J" TRIM OPENING UP DUE TO SNOW & ICE.
- DO NOT USE THE #916 "J" TRIM ON A GABLE END IF SNOW & ICE SLIDES DOWN A VALLEY DIRECTLY INTO THE GABLE END. THIS WILL MOST LIKELY RESULT IN THE "J" TRIM OPENING UP.
- DO NOT USE THE #916 "J" TRIM IN VALLEYS.



3 WALL FLASHING DETAIL (90°)



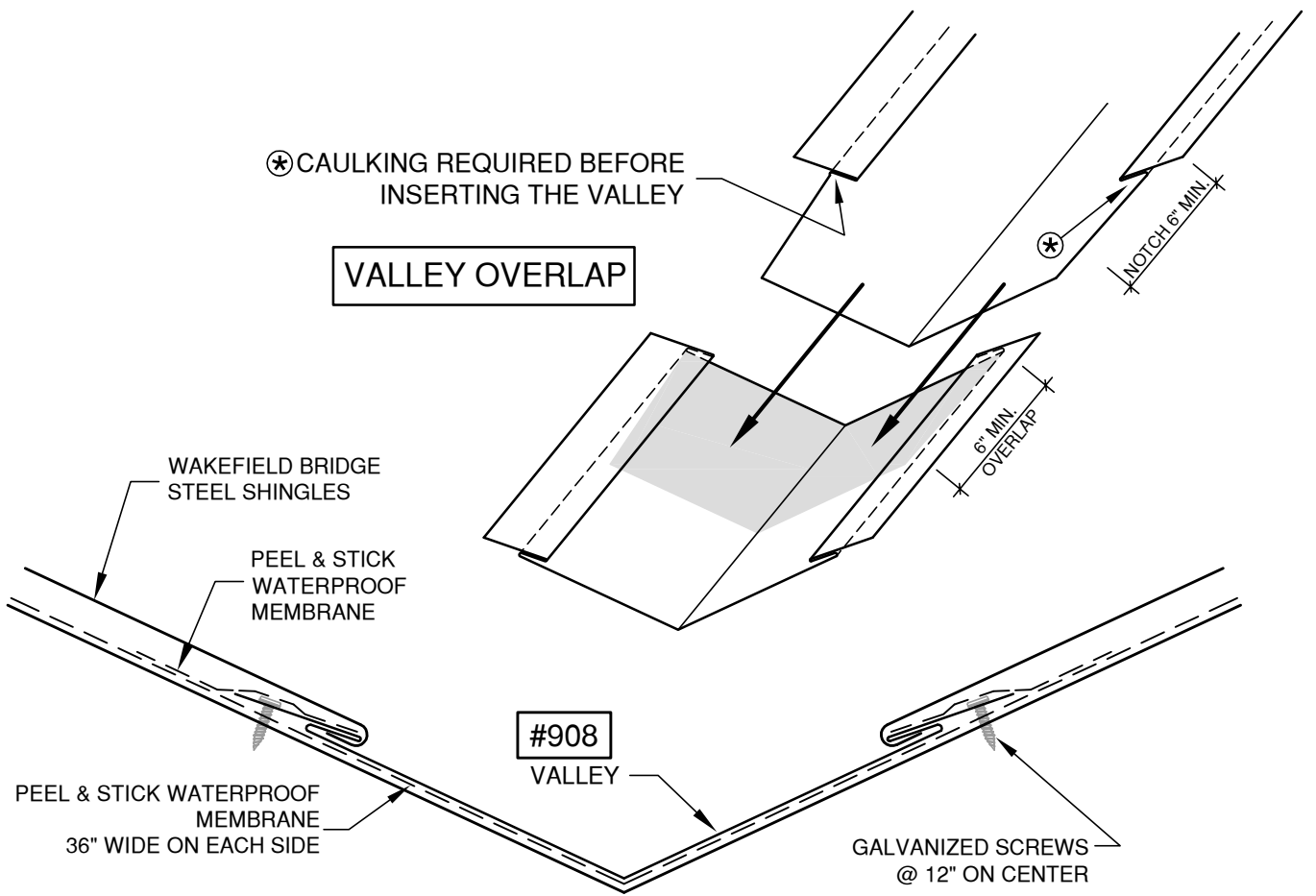
4 WALL FLASHING DETAIL (SLOPED)



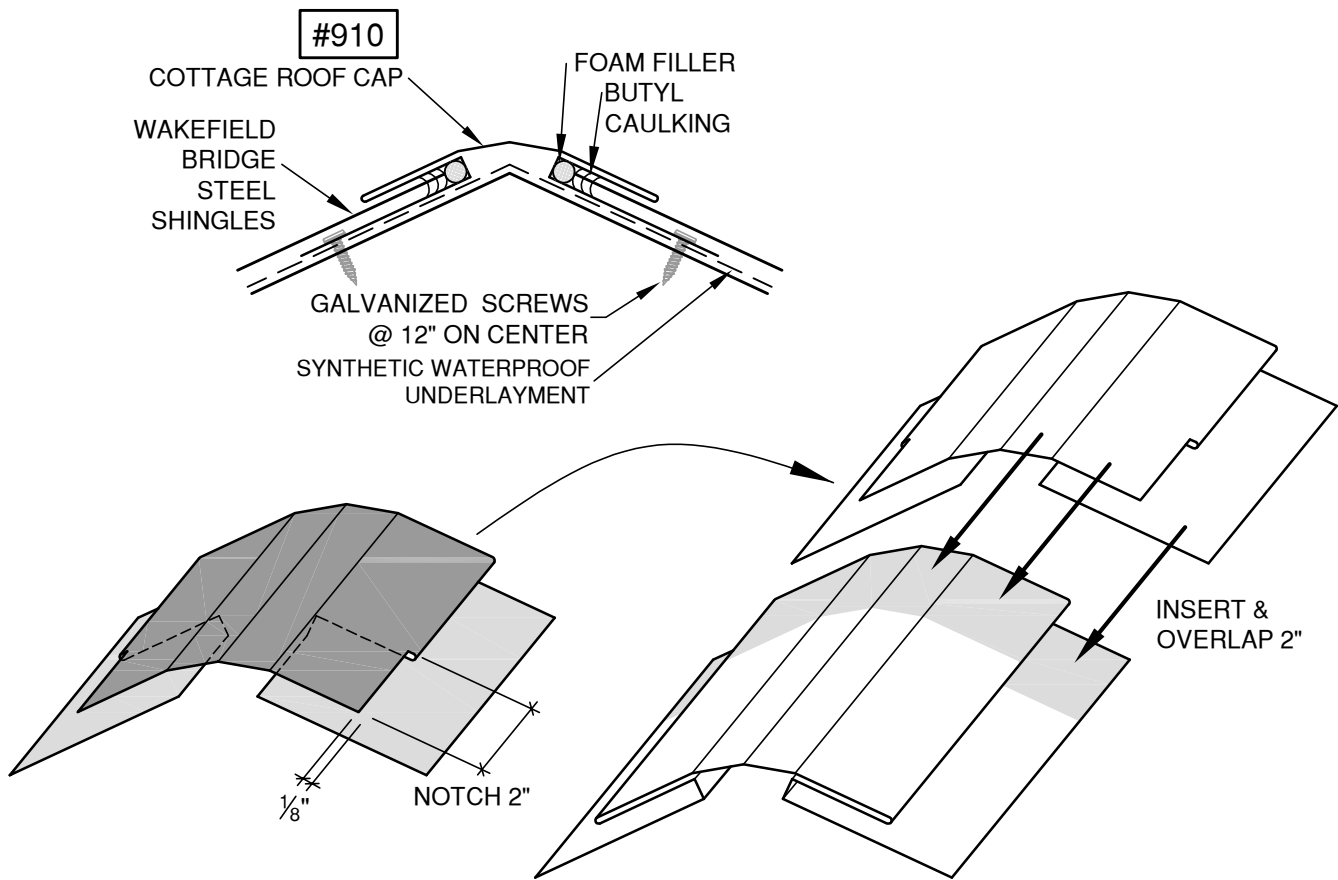
5

# VALLEY DETAIL

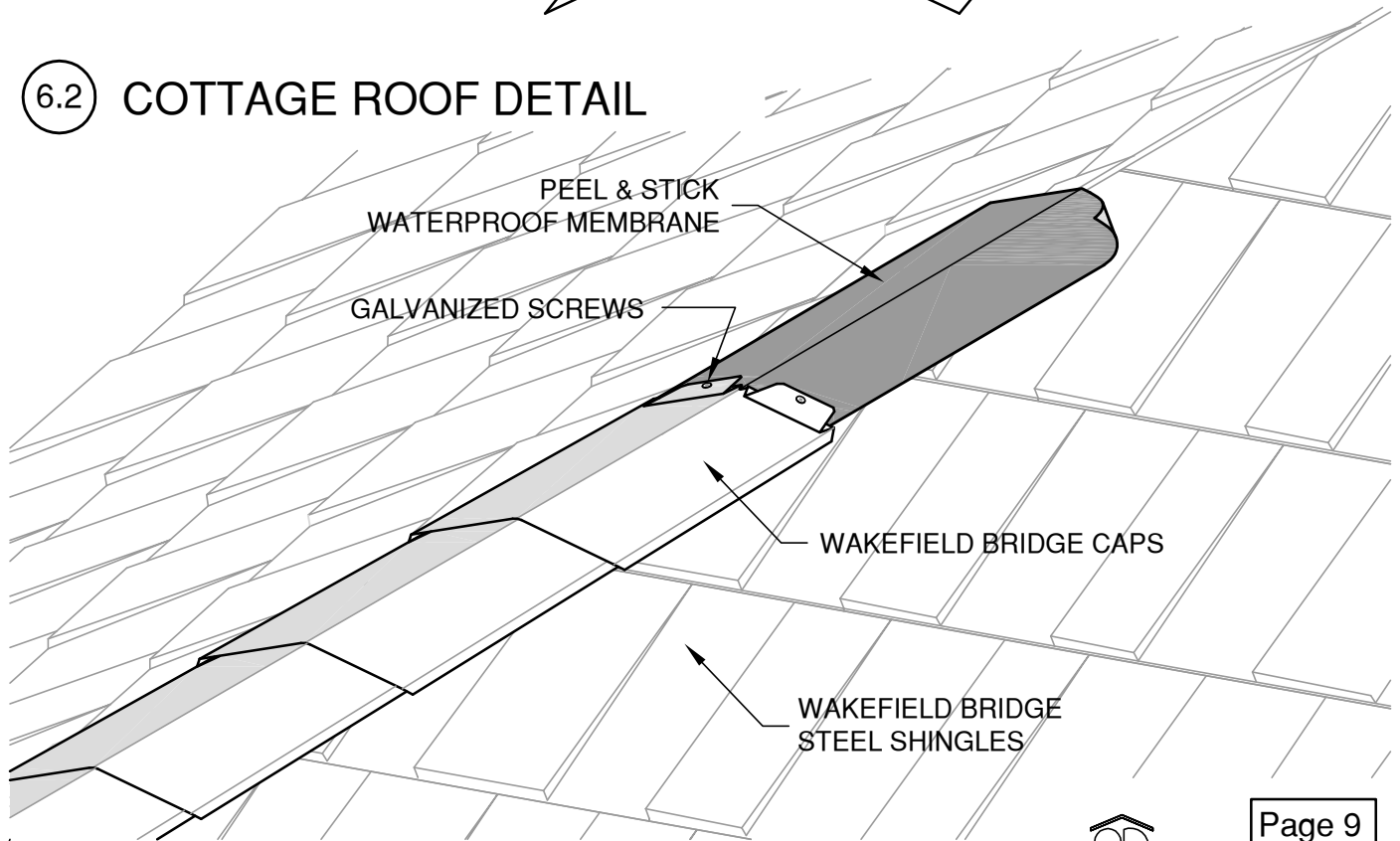
(SHINGLES FOLDED ON SITE)



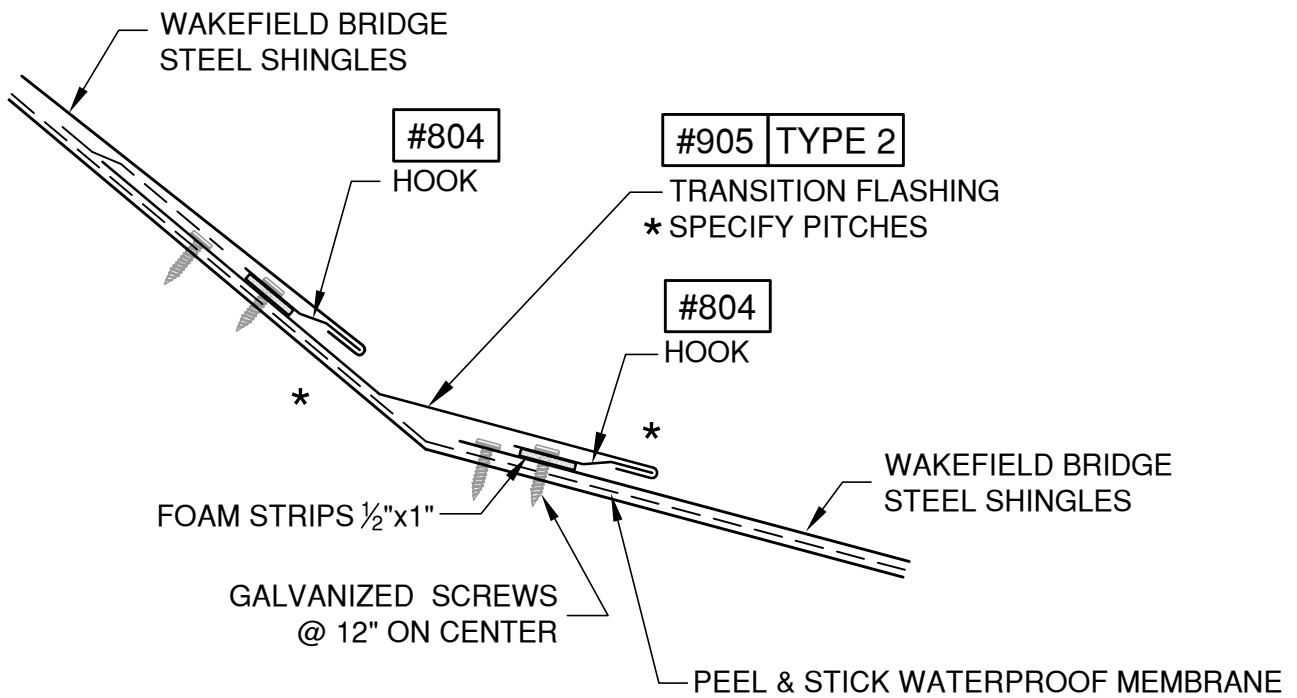
6.1 COTTAGE ROOF DETAIL



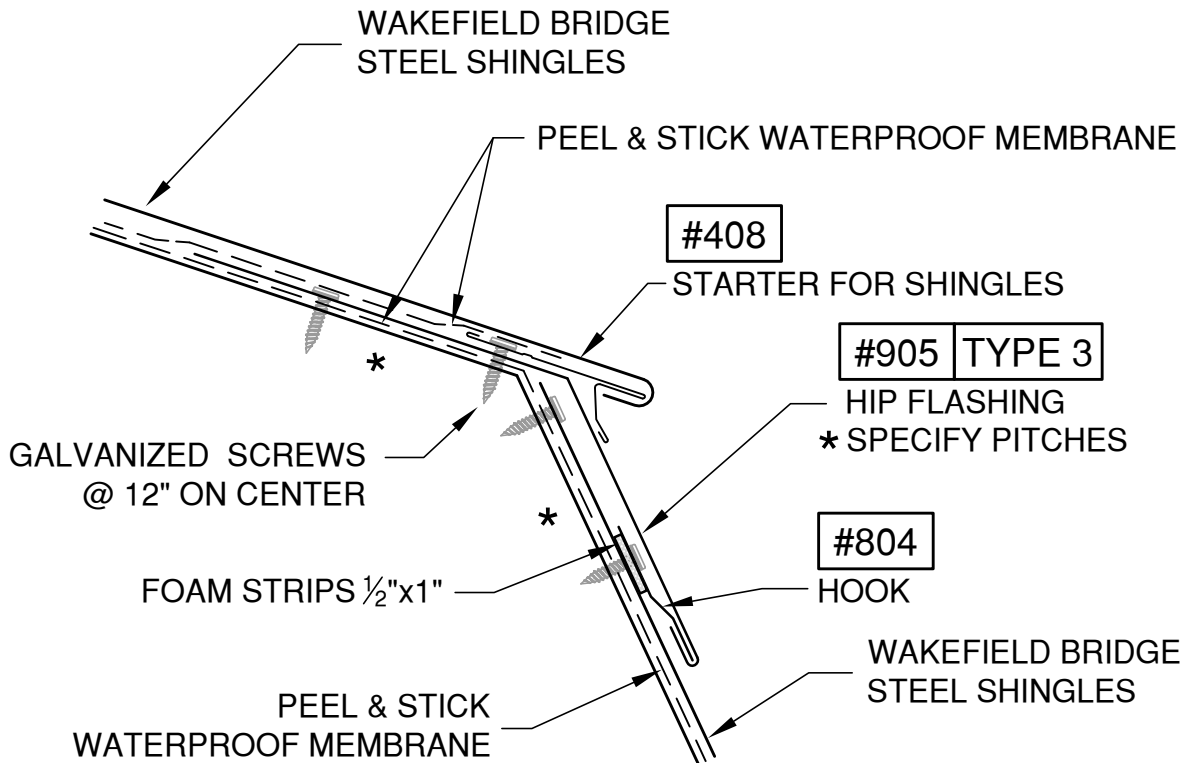
6.2 COTTAGE ROOF DETAIL



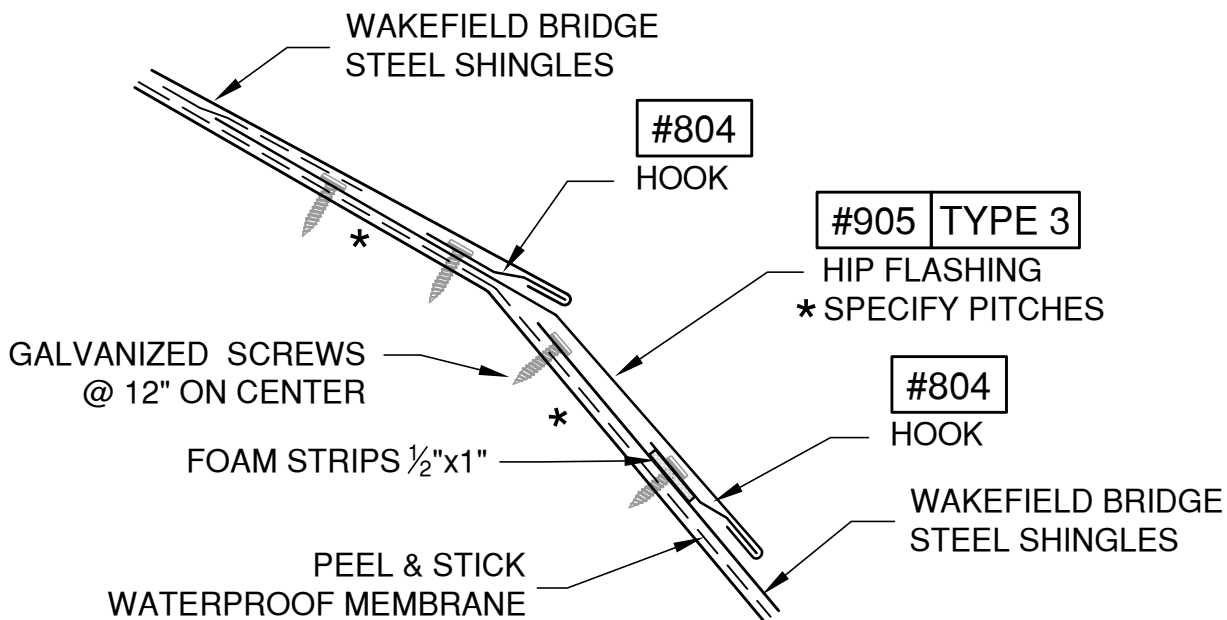
7.1 TRANSITION FLASHING DETAIL (high to low pitch)



7.2a TRANSITION FLASHING DETAIL (low to high pitch)

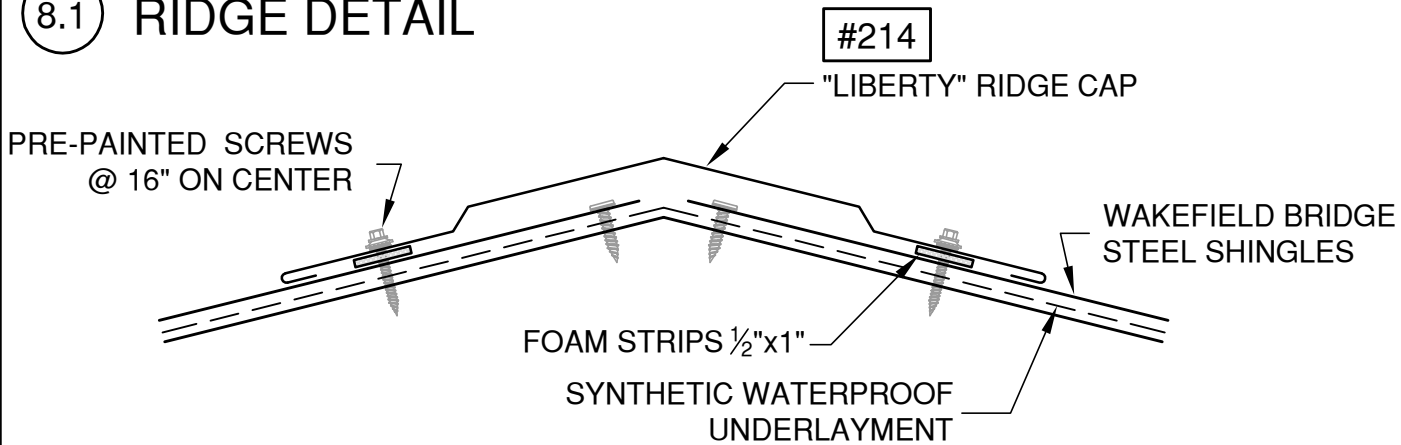


7.2b TRANSITION FLASHING DETAIL (low to high pitch)



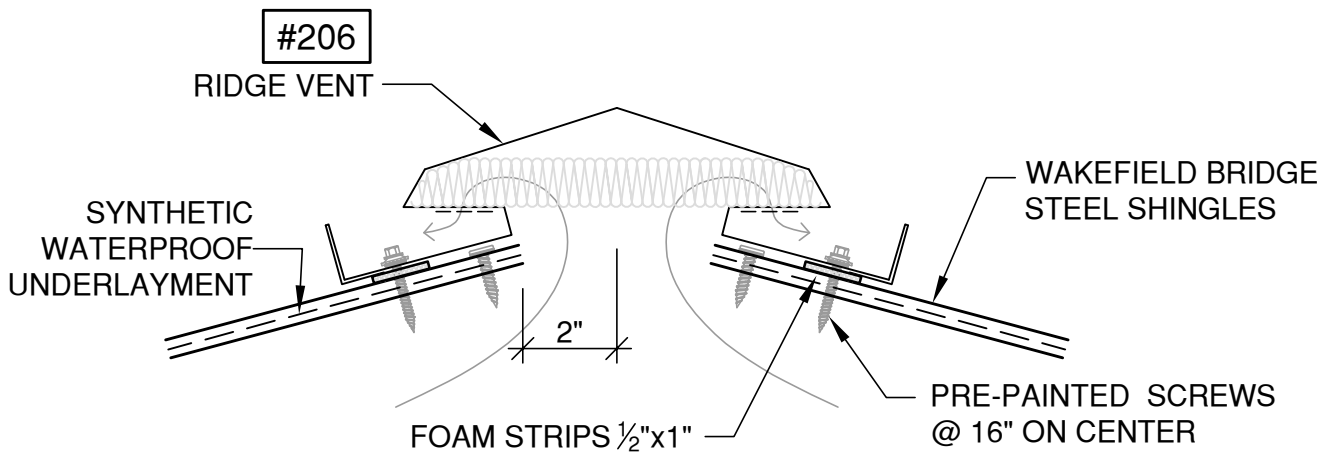
8.1

### RIDGE DETAIL



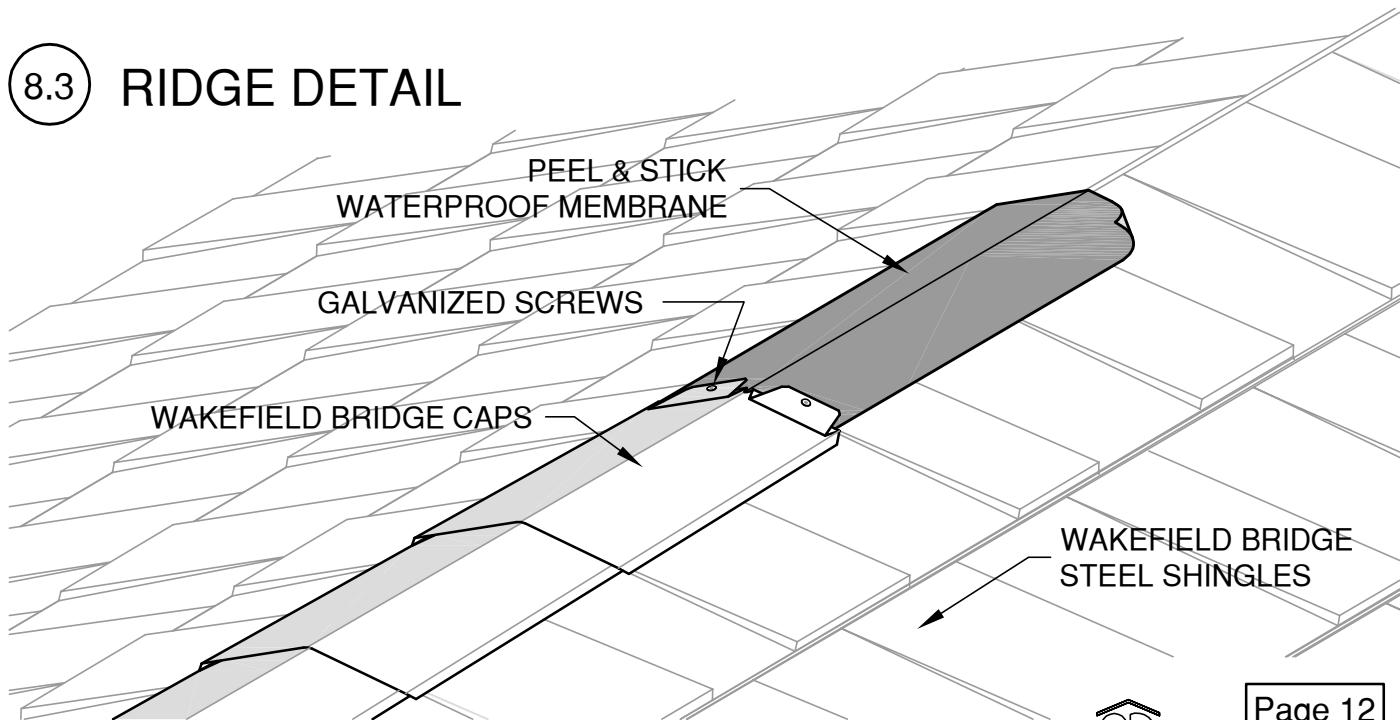
8.2

### RIDGE DETAIL

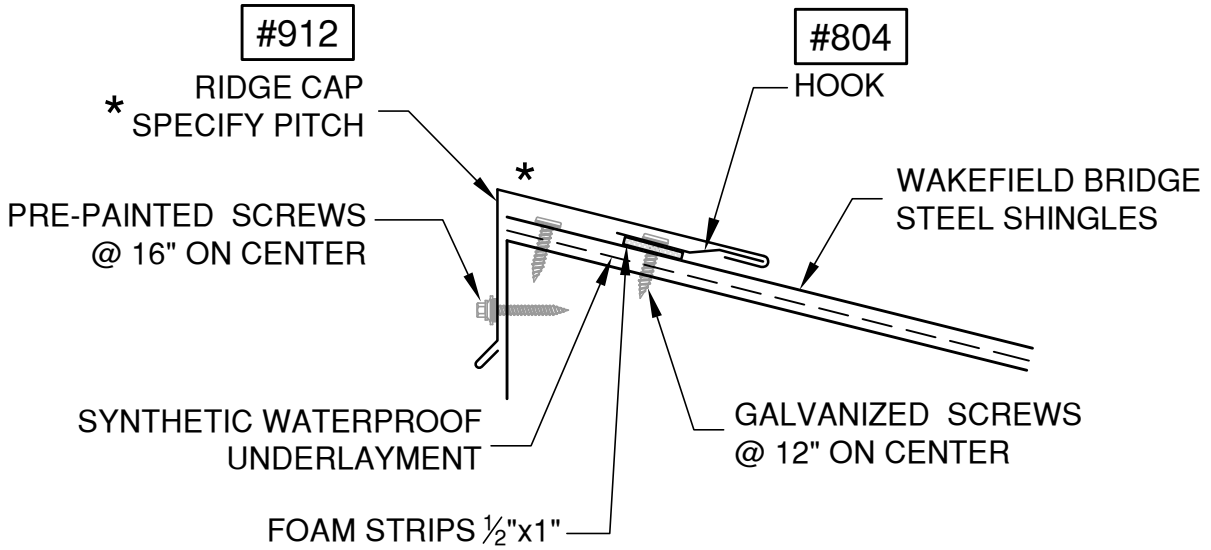


8.3

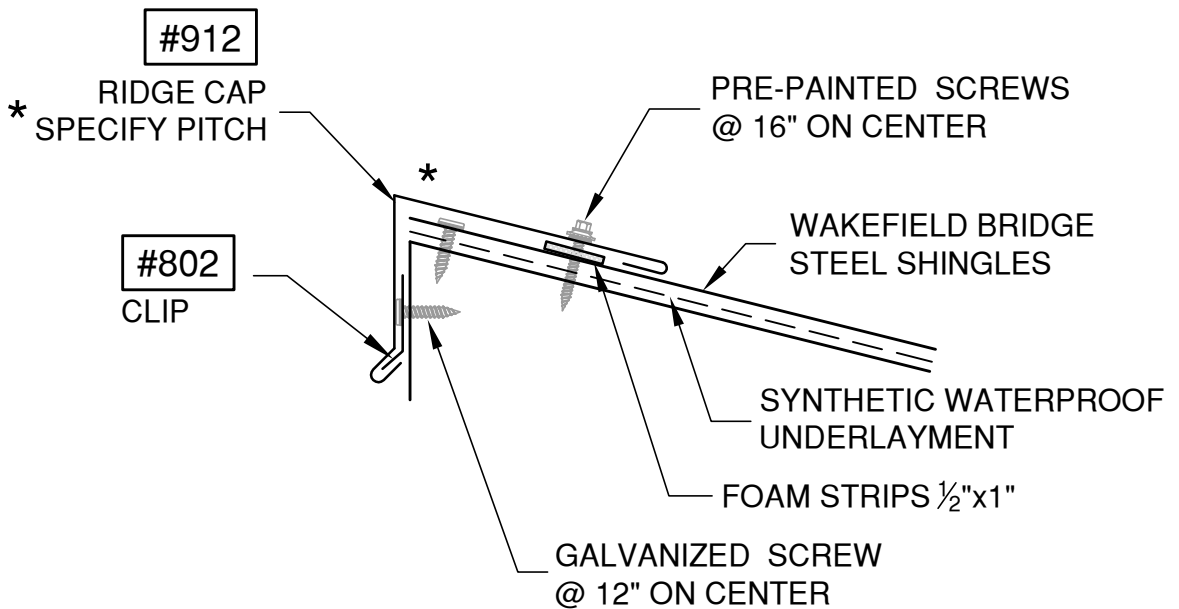
### RIDGE DETAIL



## 8.4 HALF RIDGE CAP DETAIL

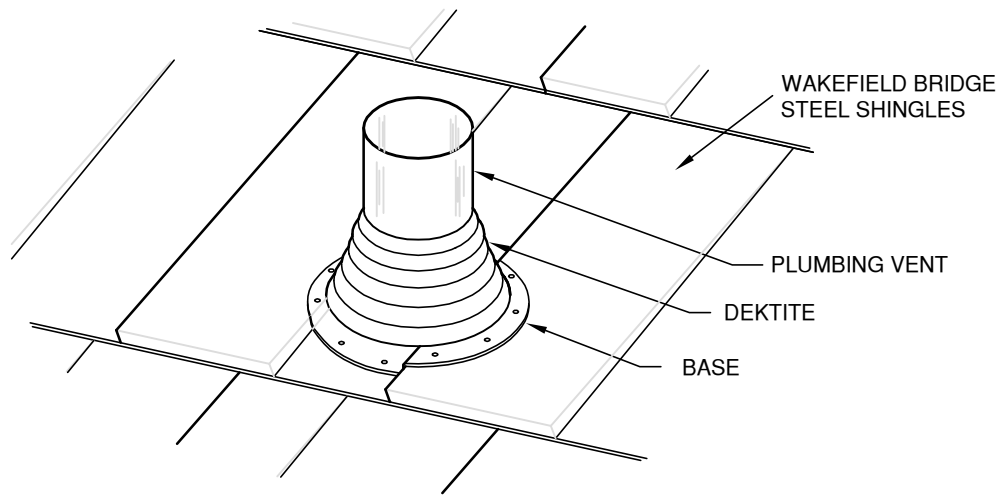


## 8.5 HALF RIDGE CAP DETAIL



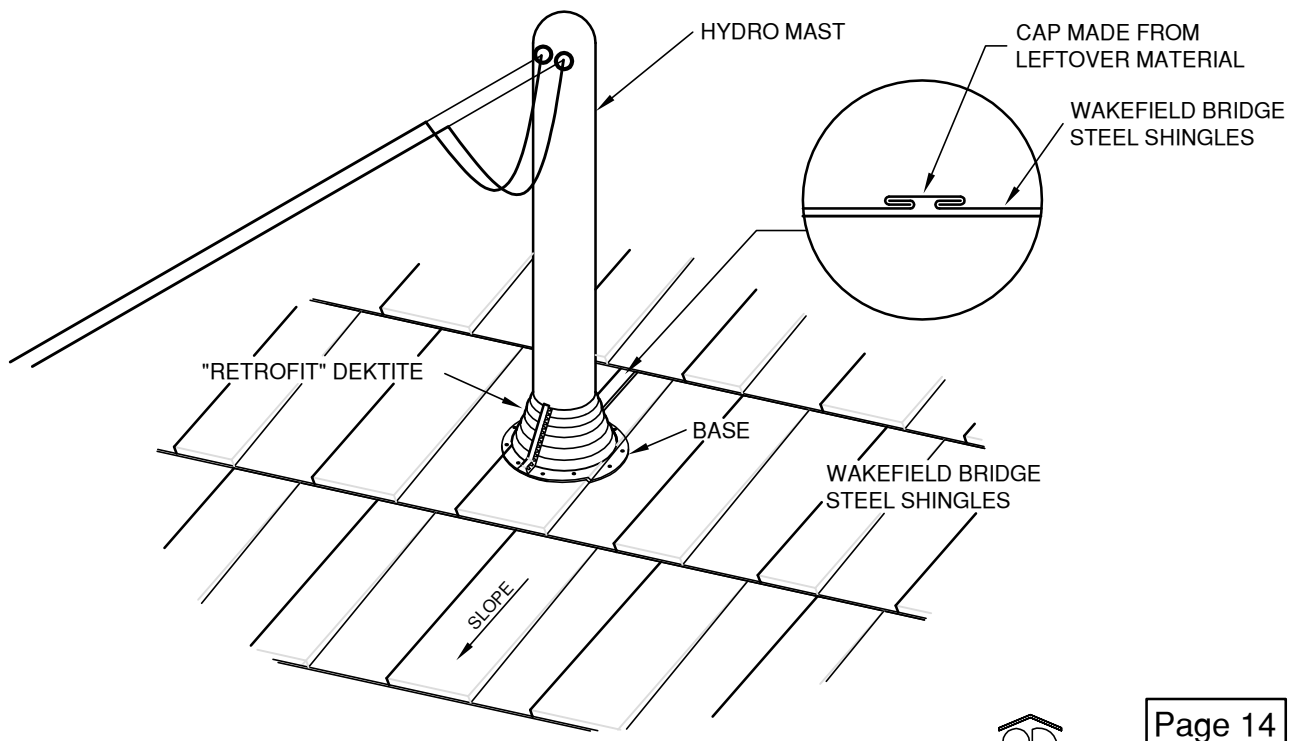
### 9.1 PLUMBING VENT DETAIL

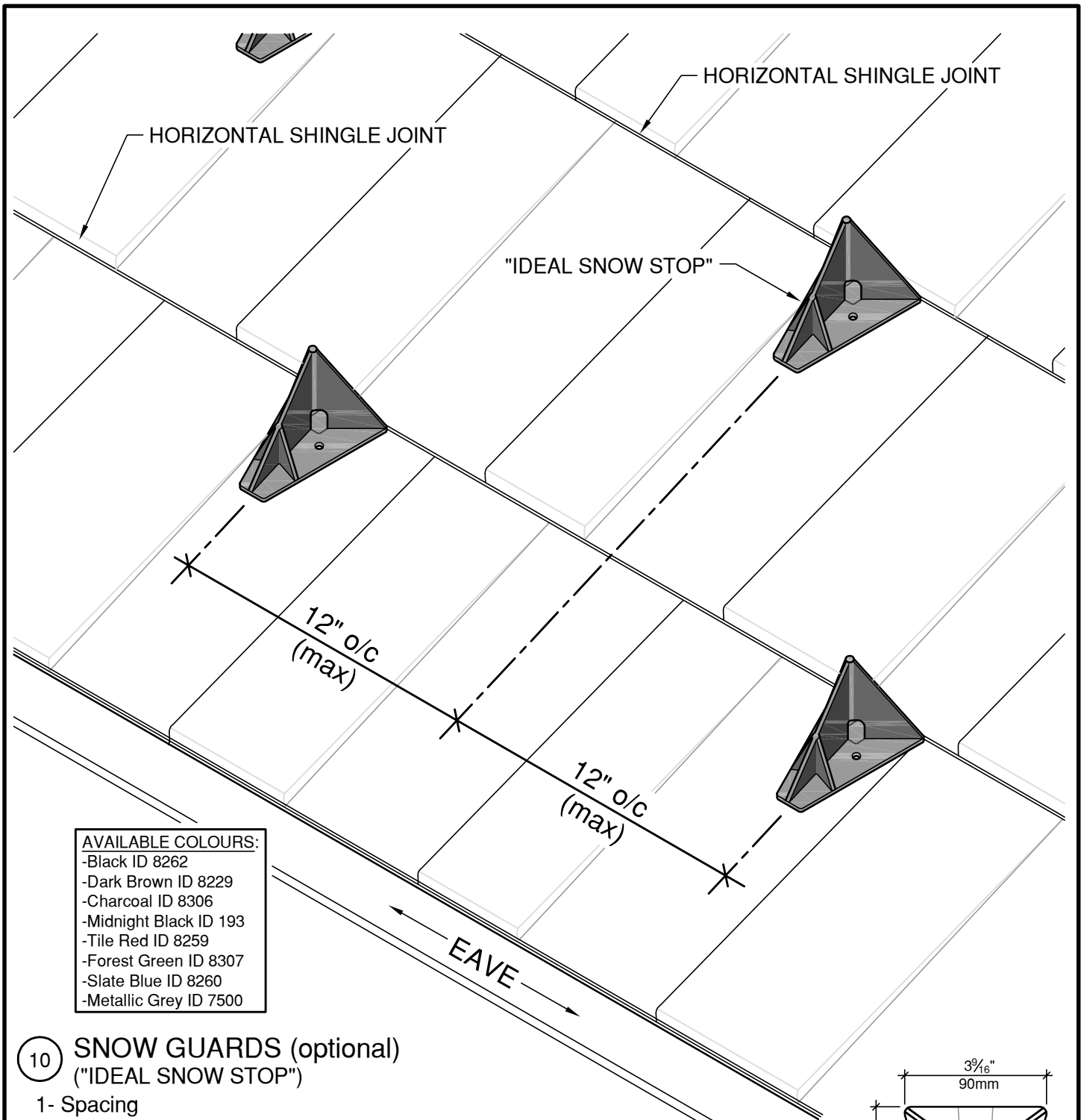
-ONCE THE STEEL SHINGLES ARE INSTALLED, CUT THE "DEKTITE" TO THE APPROPRIATE DIAMETER, AND SLIDE OVER PIPE. SECURE THE DEKTITE'S BASE WITH A SEALANT (BETWEEN THE BASE AND ROOFING) THEN FASTEN.



### 9.2 HYDRO MAST DETAIL

-ONCE THE STEEL SHINGLES ARE INSTALLED, CUT THE "RETROFIT DEKTITE" TO THE APPROPRIATE DIAMETER AND INSTALL AROUND THE HYDRO MAST. CLAMP THE FLASHING TOGETHER AND SECURE THE BASE WITH A SEALANT (BETWEEN THE BASE AND ROOFING) THEN FASTEN.





- AVAILABLE COLOURS:**
- Black ID 8262
  - Dark Brown ID 8229
  - Charcoal ID 8306
  - Midnight Black ID 193
  - Tile Red ID 8259
  - Forest Green ID 8307
  - Slate Blue ID 8260
  - Metallic Grey ID 7500

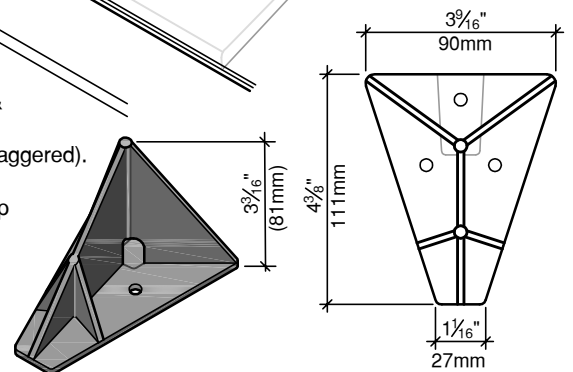
**10 SNOW GUARDS (optional)**  
 ("IDEAL SNOW STOP")

**1- Spacing**

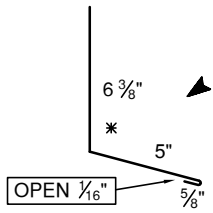
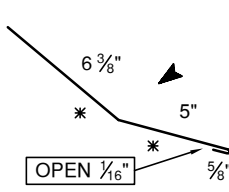
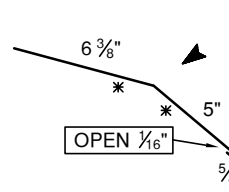
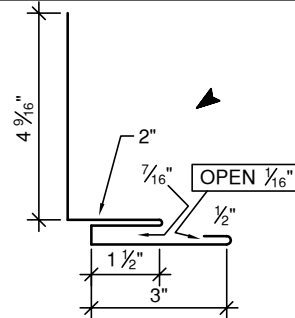
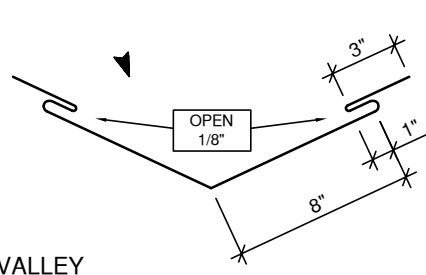
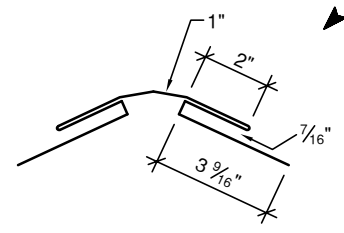
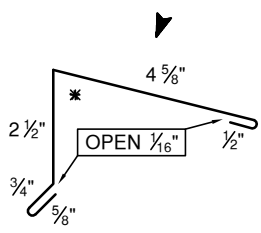
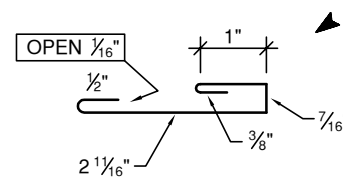
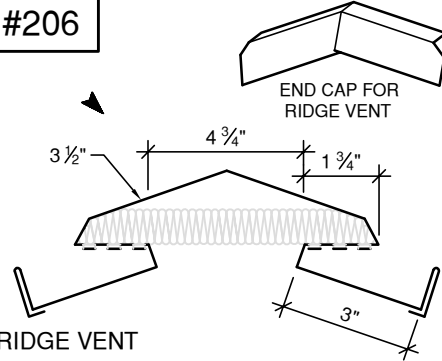
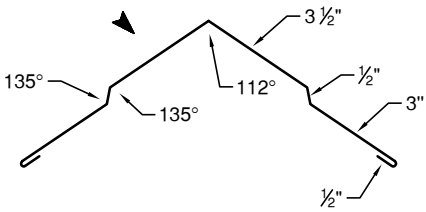
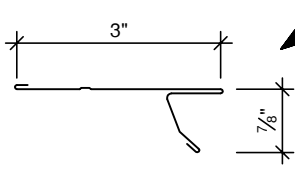
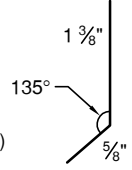
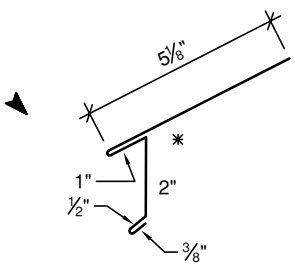
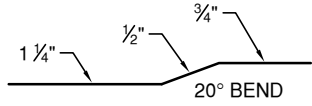
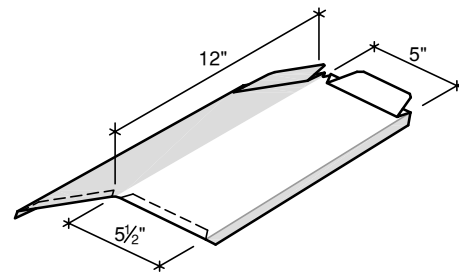
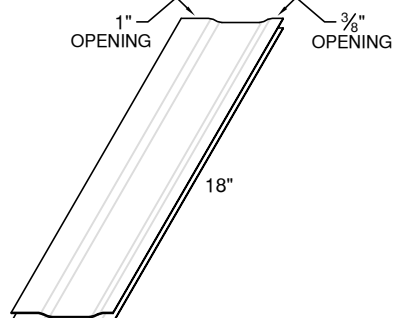
- "Ideal Snow Stop" can be installed along the eaves, in areas where falling ice & snow is a concern.
- Install the "Ideal Snow Stop" up against a horizontal shingle joint, in 2 rows (staggered). Horizontal spacing should be 12" o/c (maximum).
- Note that the spacing between the "Ideal Snow Stop" may be reduced for steep roofs and/or roofs with long rafters.

**2- Installation**

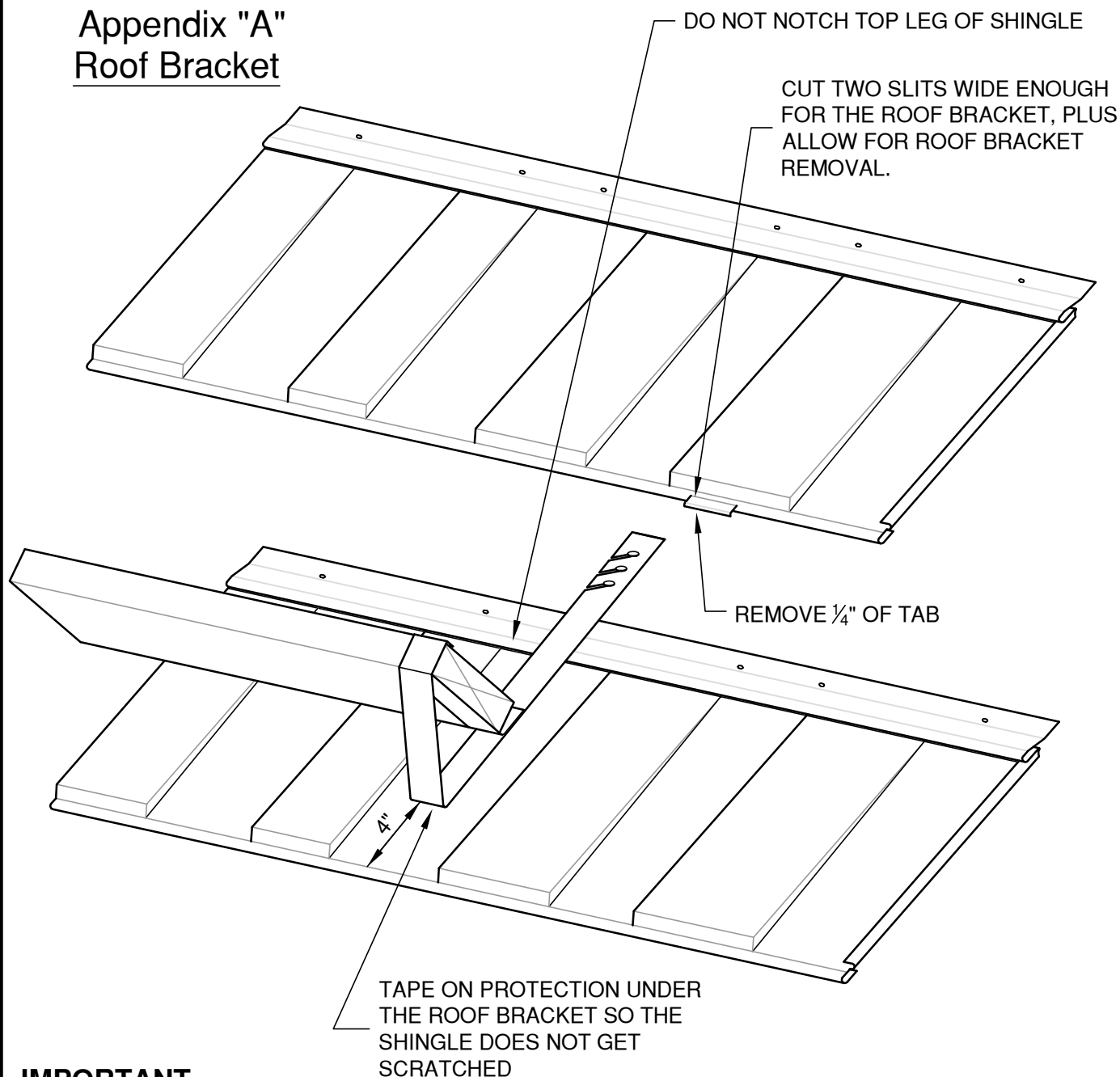
- a) Spread bead of sealant evenly underneath the Ideal Snow Stop's base.
- b) Place the "Ideal Snow Stop" in position on metal surface by applying light and even pressure. Insure solid backing underneath the "Ideal Snow Stop".
- c) Use screws with neoprene washers through holes in the "Ideal Snow Stop" and tighten to cause approximately 50% compression in neoprene washers.
- d) Three screws to be used per "Ideal Snow Stop".



# FLASHINGS AND TRIMS FOR THE WAKEFIELD BRIDGE STEEL SHINGLES

<p><b>#905 TYPE 1</b></p>  <p>WALL FLASHING (12" GIRTH) * SPECIFY PITCH</p>	<p><b>#905 TYPE 2</b></p>  <p>TRANSITION FLASHING (12" GIRTH) * SPECIFY PITCHES</p>	<p><b>#905 TYPE 3</b></p>  <p>HIP FLASHING (12" GIRTH) * SPECIFY PITCHES</p>	
<p><b>#906</b></p>  <p>WALL FLASHING (90°) (12" GIRTH)</p>	<p><b>#908</b></p>  <p>VALLEY (24" GIRTH)</p>	<p><b>#910</b></p>  <p>COTTAGE ROOF CAP (18" GIRTH)</p>	
<p><b>#912</b></p>  <p>HALF RIDGE CAP (9" GIRTH) * SPECIFY PITCH</p>	<p><b>#916</b></p>  <p>SPECIAL "J" TRIM (5" GIRTH)</p>	<p><b>#206</b></p>  <p>RIDGE VENT</p>	
<p><b>#214</b></p>  <p>"LIBERTY" RIDGE CAP (15" GIRTH)</p>	<p><b>#408</b></p>  <p>STARTER FOR SHINGLES</p>	<p><b>#802</b></p>  <p>CLIP (4" GIRTH, 26G, GALVANIZED) (TRIM TO 2")</p>	
<p><b>#815</b></p>  <p>EAVE STARTER (9" GIRTH) * SPECIFY PITCH (MAX. PITCH 12/12)</p>	<p><b>#804</b></p>  <p>HOOK (4" GIRTH, 24G, GALVANIZED) (TRIM TO 2 1/2")</p>	<p><b>#815</b></p>  <p>WAKEFIELD BRIDGE CAPS (30 PCS PER BUNDLE)</p>	
			<p><b>#804</b></p>  <p>FOLDING TOOL</p>

## Appendix "A" Roof Bracket



### **IMPORTANT**

SEE ROOF BRACKET INSTRUCTIONS FROM THE MANUFACTURER FOR PROPER USE AND MOUNTING INSTRUCTIONS REQUIRED.

THE FOLLOWING INSTRUCTIONS DESCRIBE THE INSTALLATION SEQUENCE.

- 1- INSTALL BOTTOM SHINGLE.
- 2- MOUNT ROOF BRACKET OVER TOP OF SHINGLE (SEE DIAGRAM).
- 3- REMOVE ROOF BRACKET WHEN DONE INSTALLING TOP SHINGLES.
- 4- AFTER REMOVING THE ROOF BRACKET, RAISE THE BOTTOM EDGE OF THE TOP SHINGLE WITH A CLAW HAMMER ON EACH SIDE OF TAB WHEN FOLDING TAB BACK IN BY HAND. DO FINAL TUCK WITH A NARROW NON-MARRING TOOL.

NOTE: ROOF BRACKETS ARE AVAILABLE IN BUILDING MATERIAL RETAILERS.





# Estimate Sheet

( Wakefield Bridge Steel Shingles )

COMPANY: \_\_\_\_\_

CITY: \_\_\_\_\_

CONTACT: \_\_\_\_\_

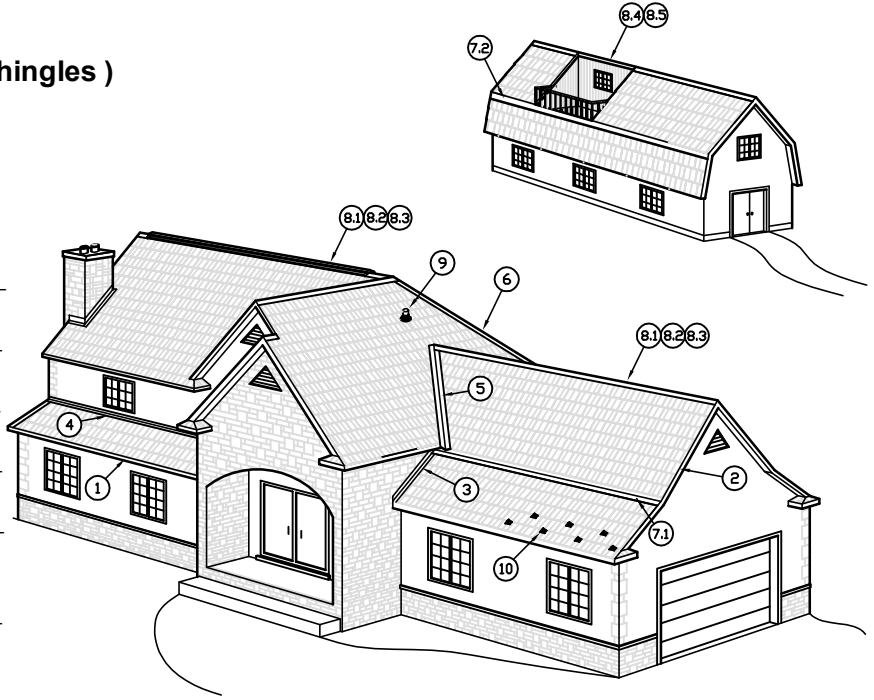
PHONE: \_\_\_\_\_

FAX: \_\_\_\_\_

EMAIL: \_\_\_\_\_

JOB NAME: \_\_\_\_\_

JOB ADDRESS: \_\_\_\_\_



Colour: \_\_\_\_\_

Steel Shingles

Total Roof Area \_\_\_\_\_ ÷ 50 = \_\_\_\_\_ Boxes

Total Boxes x \$ \_\_\_\_\_ per box = \$ \_\_\_\_\_

① Eave / Starter  
 - Starter # 408 or # 815 (10 ft)      Total Length \_\_\_\_\_ x \$ \_\_\_\_\_ per lin./ft = \$ \_\_\_\_\_

② Gable / Rake  
 - Starter # 408 or # 815 (10 ft)      Total Length \_\_\_\_\_ x \$ \_\_\_\_\_ per lin./ft = \$ \_\_\_\_\_

- "J" trim # 916 (10 ft)      Total Length \_\_\_\_\_ x \$ \_\_\_\_\_ per lin./ft = \$ \_\_\_\_\_

③ Wall Detail 90°  
 - # 906 (10 ft)      Total Length \_\_\_\_\_ x \$ \_\_\_\_\_ per lin./ft = \$ \_\_\_\_\_

④ Wall Detail (slope)  
 - # 905 TYPE 1 (10 ft)      Total Length \_\_\_\_\_ x \$ \_\_\_\_\_ per lin./ft = \$ \_\_\_\_\_

- Hook # 804 (10 ft)      Total Length \_\_\_\_\_ x \$ \_\_\_\_\_ per lin./ft = \$ \_\_\_\_\_

⑤ Valley Detail  
 - Valley # 908 (10 ft)      Total Length \_\_\_\_\_ x \$ \_\_\_\_\_ per lin./ft = \$ \_\_\_\_\_

⑥ Hip Detail  
 - Cottage Roof Cap # 910 (10 ft)      Total Length \_\_\_\_\_ x \$ \_\_\_\_\_ per lin./ft = \$ \_\_\_\_\_

- Wakefield Bridge Cap (30 pcs per bundle)      Total Pieces \_\_\_\_\_ x \$ \_\_\_\_\_ per piece = \$ \_\_\_\_\_



7.1 Transition Detail  
 - # 905 TYPE 2 (10 ft) Total Length \_\_\_\_\_ x \$ \_\_\_\_\_ per lin./ft = \$ \_\_\_\_\_

- Hook # 804 (10 ft) Total Length \_\_\_\_\_ x \$ \_\_\_\_\_ per lin./ft = \$ \_\_\_\_\_

7.2 Transition Detail (Hip)  
 - # 905 TYPE 3 (10 ft) Total Length \_\_\_\_\_ x \$ \_\_\_\_\_ per lin./ft = \$ \_\_\_\_\_

- Hook # 804 (10 ft) Total Length \_\_\_\_\_ x \$ \_\_\_\_\_ per lin./ft = \$ \_\_\_\_\_

Ridge Details

8.1 - "Liberty" Ridge  
 Cap # 214 (10 ft) Total Length \_\_\_\_\_ x \$ \_\_\_\_\_ per lin./ft = \$ \_\_\_\_\_

8.2 - Ridge Vent (10ft) Total Length \_\_\_\_\_ x \$ \_\_\_\_\_ per lin./ft = \$ \_\_\_\_\_

- End cap for Ridge Vent (pcs) Total Pieces \_\_\_\_\_ x \$ \_\_\_\_\_ per piece = \$ \_\_\_\_\_

8.3 - Wakefield Bridge Cap  
 (30 pcs per bundle) Total Pieces \_\_\_\_\_ x \$ \_\_\_\_\_ per piece = \$ \_\_\_\_\_

8.4, 8.5 - Half Ridge # 912 (10 ft) Total Length \_\_\_\_\_ x \$ \_\_\_\_\_ per lin./ft = \$ \_\_\_\_\_

8.4 - Hook # 804 (10 ft) Total Length \_\_\_\_\_ x \$ \_\_\_\_\_ per lin./ft = \$ \_\_\_\_\_

8.5 - Clip # 802 (10 ft) Total Length \_\_\_\_\_ x \$ \_\_\_\_\_ per lin./ft = \$ \_\_\_\_\_

Accessories

- Folding Tool Total Pieces \_\_\_\_\_ x \$ \_\_\_\_\_ per piece = \$ \_\_\_\_\_

- Backer Rod ( 25 ft roll ) Total Rolls \_\_\_\_\_ x \$ \_\_\_\_\_ per roll = \$ \_\_\_\_\_

- Foam Strip ( 1/2"x1"x25' ) Total Length \_\_\_\_\_ x \$ \_\_\_\_\_ per lin./ft = \$ \_\_\_\_\_

- Butyl Caulking ( 300ml ) Total Tubes \_\_\_\_\_ x \$ \_\_\_\_\_ per tube = \$ \_\_\_\_\_

- **Galvanized Screws 1" (flat head)** Total per/100 \_\_\_\_\_ x \$ \_\_\_\_\_ per/100 = \$ \_\_\_\_\_  
 (min. 90 pcs / box shingles)

- **Galvanized Screws 1.5" (flat head)** Total per/100 \_\_\_\_\_ x \$ \_\_\_\_\_ per/100 = \$ \_\_\_\_\_  
 (min. 90 pcs / box shingles)

- **Pre-Painted Screws 1.5"** Total per/100 \_\_\_\_\_ x \$ \_\_\_\_\_ per/100 = \$ \_\_\_\_\_

- Flat Sheet ( 4' x 10' ) Total Sheets \_\_\_\_\_ x \$ \_\_\_\_\_ per sheet = \$ \_\_\_\_\_

9 - Dektite "pipe" ( #3, #4 & #8 ) Total Pieces \_\_\_\_\_ x \$ \_\_\_\_\_ per piece = \$ \_\_\_\_\_

- Dektite "Chimney" ( #8 HT ) Total Pieces \_\_\_\_\_ x \$ \_\_\_\_\_ per piece = \$ \_\_\_\_\_

- Retrofit Dektite  
 "Hydro Mast" ( #802 ) Total Pieces \_\_\_\_\_ x \$ \_\_\_\_\_ per piece = \$ \_\_\_\_\_

- Touch Up Paint ( 0.5 oz ) Total Cans \_\_\_\_\_ x \$ \_\_\_\_\_ per can = \$ \_\_\_\_\_

10 - Ideal Snow Stop (Snow Guards) Total Pieces \_\_\_\_\_ x \$ \_\_\_\_\_ per piece = \$ \_\_\_\_\_

Total Material Cost \$ \_\_\_\_\_

Note: Consult our installation manual  
 for more details on flashings  
 and accessories.

