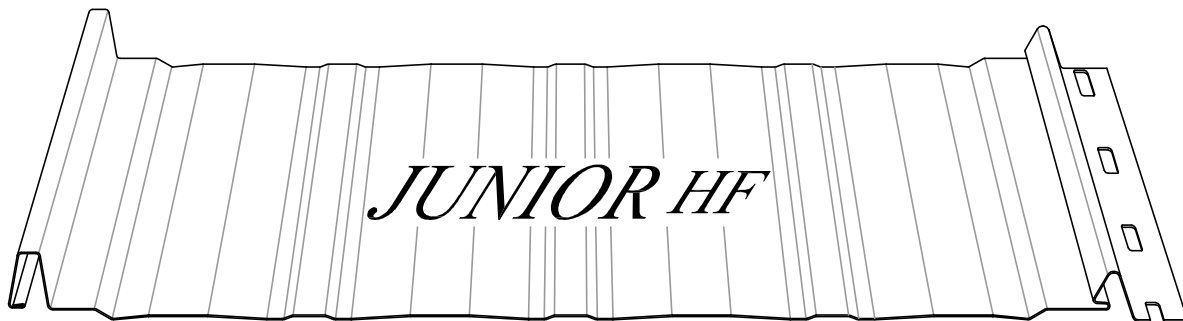


INSTALLATION MANUAL



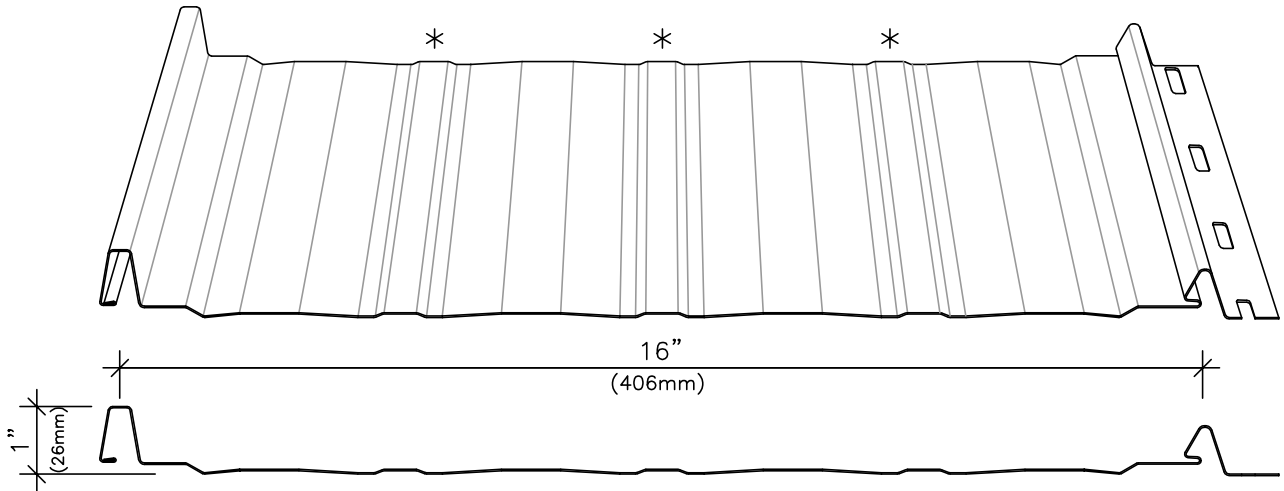
ideal roofing
Company Limited, Manufacturers

Head Office
1418 Michael St.,
Ottawa, Ont., Canada K1B 3R2

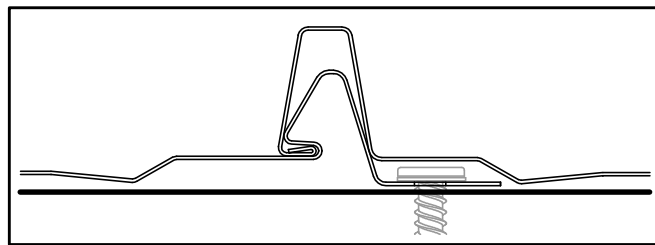
TOLL FREE 1-800-267-0860
TEL. 1-613-746-3206
FAX 1-613-746-0445

Contents

| | Page |
|---|-------------|
| Introduction, Storage..... | 2 |
| Preparation..... | 3 |
| Tools and Equipment, Touch Up Paint, Important Notice.. | 4 |
| Installation Details Overview..... | 5 |
| Gable End Details..... | 6 |
| Eave Details..... | 7 |
| Ridge Details..... | 8 |
| Hip Details..... | 9 |
| Wall & Roof (Sloped & 90°) Details..... | 10 |
| Half Ridge Details..... | 11 |
| Valley Detail..... | 12 |
| Transition Detail (high to low pitch)..... | 13 |
| Transition Detail (low to high pitch)..... | 14 |
| Plumbing Vent & Hydro Mast Details..... | 15 |
| Flashing & Trims..... | 16 |
| Appendix "A" – Eave Detail (Folded Edge)..... | 17 |
| Appendix "B" – Panel Overlap (End to End)..... | 18 |



*Stiffener ribs can be removed upon request



JUNIOR HF Steel Roof Panels

Designed as a roofing panel for high end residential and commercial buildings, **Ideal Roofing's JUNIOR HF** steel roof panels brings back the rich traditional style and appearance of standing seam roofs without the need of clips and a seamer when installing.

The architecturally pleasing **JUNIOR HF** panel in 29 gauge (.016") should be installed over a solid backing, through slots with **Ideal Roofing's** specially designed fasteners, allowing the panel to move freely during expansion and contraction.

This new product is fabricated with a state-of-the-art roll former and is offered in galvalume or pre-painted steel. The **JUNIOR HF** offers you the best steel panel product ever made to protect your roof while beautifying and adding true value to your residential and commercial buildings.

Storage

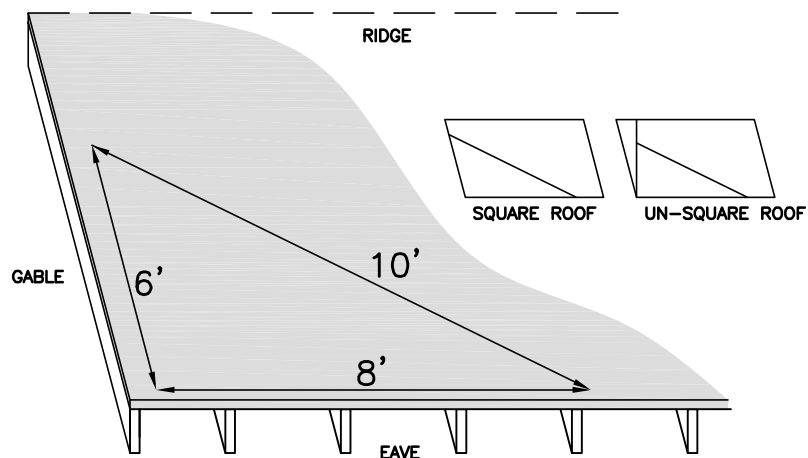
Moisture, condensation and wind driven rain can cause water stain, on stacked galvalume and pre-painted roofing and siding during storage.

- At reception of metal cladding, polyethylene wrapping must be taken off to avoid any condensation.
- Storage time could be minimized by installing the panels as soon as possible after delivery.
- If cladding must be stored for an extended period, the ideal storage place is under a roof in a cool, dry, well-ventilated area.
- When outdoor storage is unavoidable, the following is recommended:
 1. Use good quality covers other than plastic, loosely shrouded over stacks and firmly anchored to prevent wind blow-off.
 2. Tilt bundles for drainage.
 3. Block bundles off the ground for effective ventilation and drainage.
 4. Store away from chemically aggressive substances (e.g. salt, cement, fertilizer) and away from materials that could contaminate the surface (e.g. diesel, oil, paint, grease).

Preparation

- Plan the installation and rearrange your site to receive the material in the appropriate locations.
- Check roof squareness. At the corner where an eave and gable meet, measure eight feet along the eave and mark. Then measure six feet up the gable edge from the eave and make another mark. Measure the distance between the two marks. If it is exactly ten feet, you have a square roof at that corner. Check all roof corners using this method.
- Each panel should cover 16" in width. Make sure that you check the total width of the installed panels as you go along. Do not stretch the panel side way to compensate for the lack of squareness of your roof. This might cause local buckling of the material.
- Check the **deflection** on your roof prior to installing the panels. Use a string between the top and the bottom of the truss and check for any **deflection**. Shim the backing accordingly to receive the metal panels.

NOTE: The following instructions assume that the roof is square. If the roof is not square, the sheet along the gable can be trimmed along its length to match. A gable flashing is used to reduce the visual impact of the trimmed sheet.



Tools and Equipment

- Electric screw gun with adjustable torque.
- Snips or nibblers.
- High speed disc cutter (hand power saw) is not recommended. If the tool must be used, cut only one sheet at a time, and make sure that the painted surface faces downward. Keep away from other sheets since the filings will damage the paint finish. Wipe off all metal filing from the surface of the sheets.
- Chalk line (**make sure the chalk can be easily removed from the steel**).
- Working gloves.
- Proper eye protection.
- Tape measure.
- String.
- Screw (nail) apron.
- Nut setters (replace for every 3000 screws)

Touch Up Paint

- In the event of minor scratches, the installer should use a fine detail brush to cover only the scratch using minimum amount of paint. For multiple scratches or major paint damage, replace immediately the affected panels.

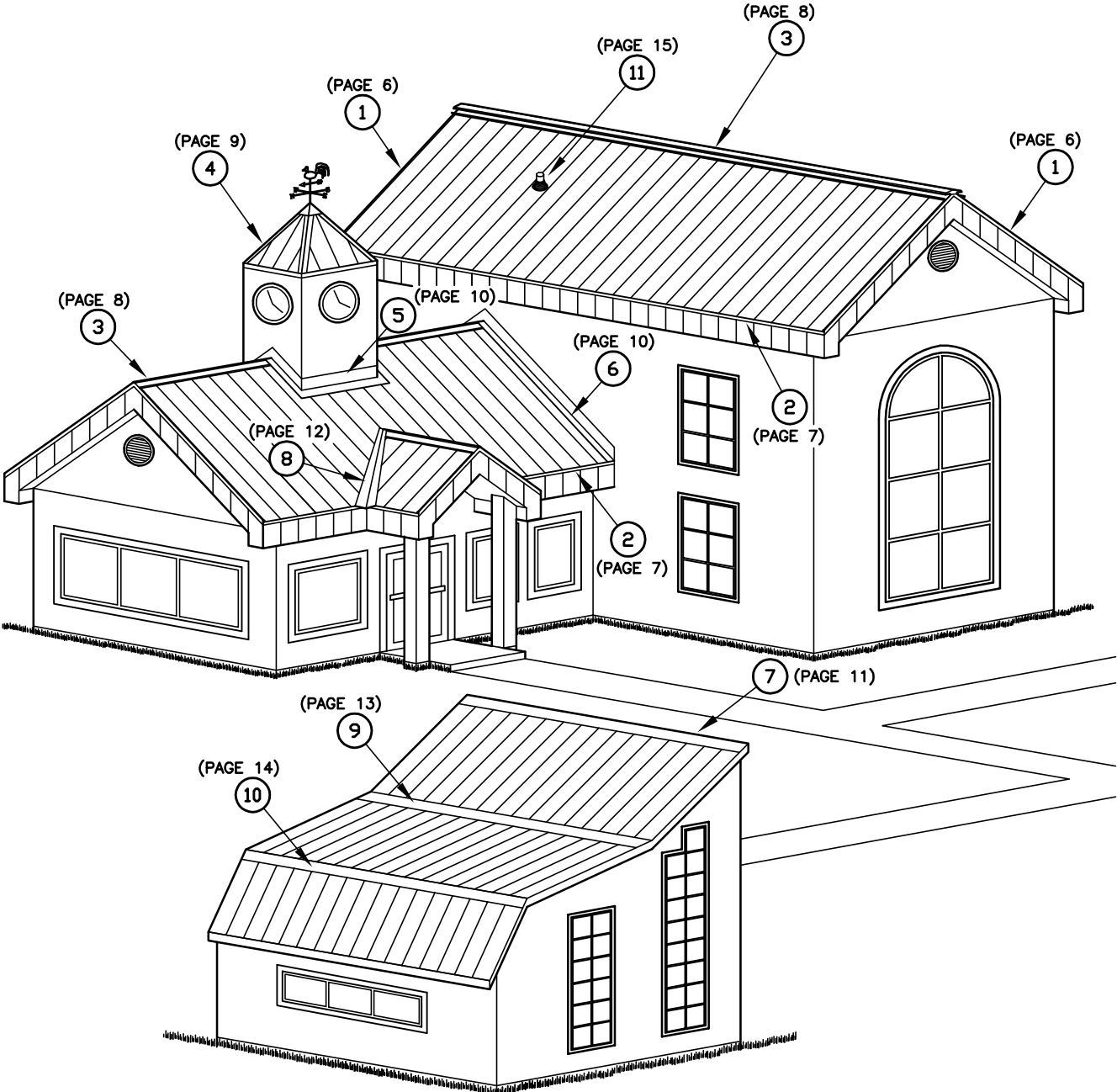


Note: The shine of the touch up paint might have a slight difference from the original pre painted steel.

Important Notice

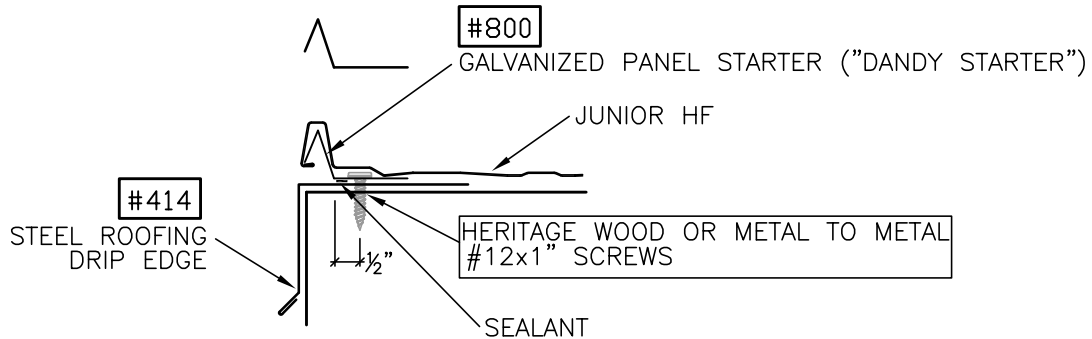
- When installing the **JUNIOR HF** panels, it is highly recommended not to over torque the flat head screws so the panel can expand and contract freely.
- **Do not use pressure treated lumber in direct contact with the JUNIOR HF panels.**
- When ordering pre-painted panels, it is always preferable to order all items of the same colour at the same time to avoid slight colour differences between batches.
- The material should be checked against the shipping list as soon as it is received. Any damage or shortage of material on the bill of lading should be noted and reported to the driver or to our offices immediately.
- **Failing to apply any of the above instructions will result in total refusal for any claim to Ideal Roofing.**

INSTALLATION DETAILS OVERVIEW

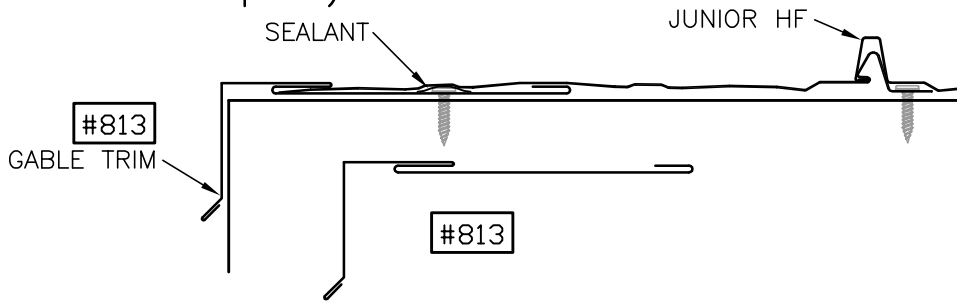


1.1 GABLE END DETAIL
(first panel)

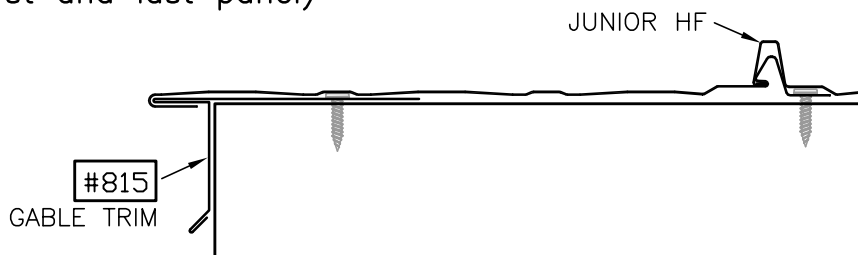
-INSTALL THE STEEL ROOFING DRIP EDGE #414. ALIGN GALVANIZED PANEL STARTER (W/SEALANT), ALSO KNOWN AS THE "DANDY STARTER", WITH THE EDGE OF THE ROOF AND FASTEN IN PLACE. THEN START WITH THE FIRST PANEL BY SNAPPING THE TWO TOGETHER.



1.2 GABLE END DETAIL (HIDDEN FASTENERS)
(first and last panel)

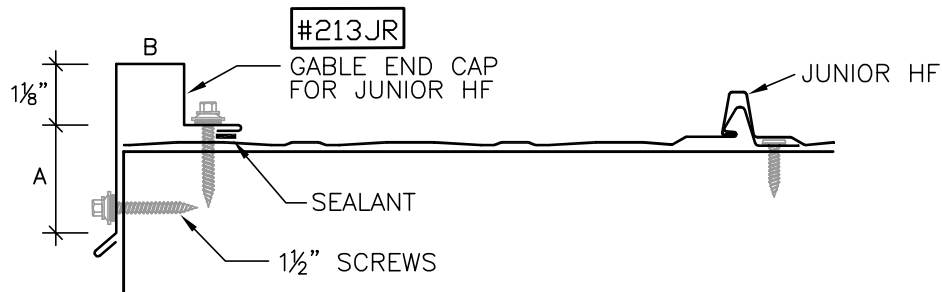


1.3 GABLE END DETAIL (HIDDEN FASTENERS)
(first and last panel)



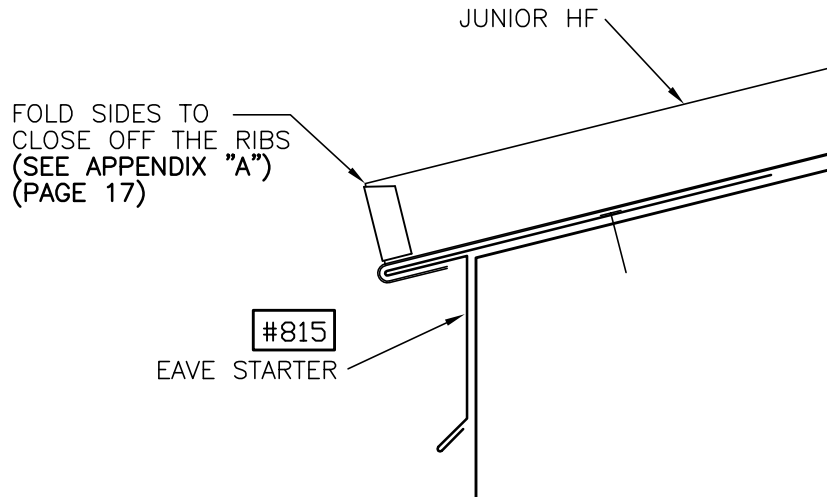
1.4 GABLE END DETAIL (EXPOSED FASTENERS)
(first and last panel)

-INSTALL THE GABLE END TRIM #213JR WITH A BEAD OF SEALANT OVER THE PANEL AND FASTEN TO SECURE. DIMENSIONS FOR THE GABLE END TRIM #213JR SHOULD BE PROVIDED BY THE INSTALLER.



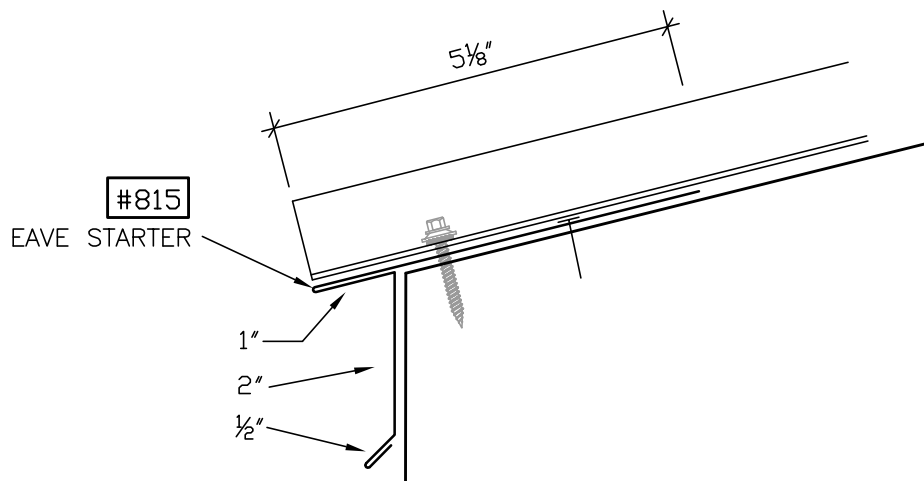
2.1 EAVE DETAIL (HIDDEN FASTENERS)

- ATTACH THE FOLDED EDGE* OF THE PANEL TO THE STARTER.
- *(FOLDED EDGE OF THE PANEL SHOULD BE DONE ON SITE BY THE INSTALLER.)



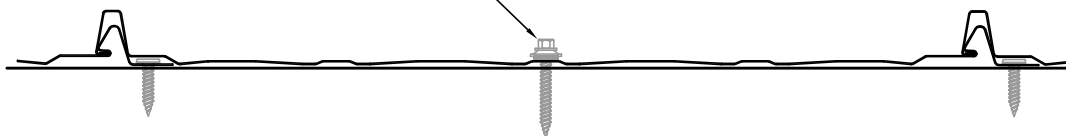
2.2 EAVE DETAIL (EXPOSED FASTENERS)

- INSTALL THE PANELS ON TOP OF THE EAVE STARTER #815. FASTEN THE JUNIOR HF ALONG THE EAVE (USE 1 SCREW PER PANEL).

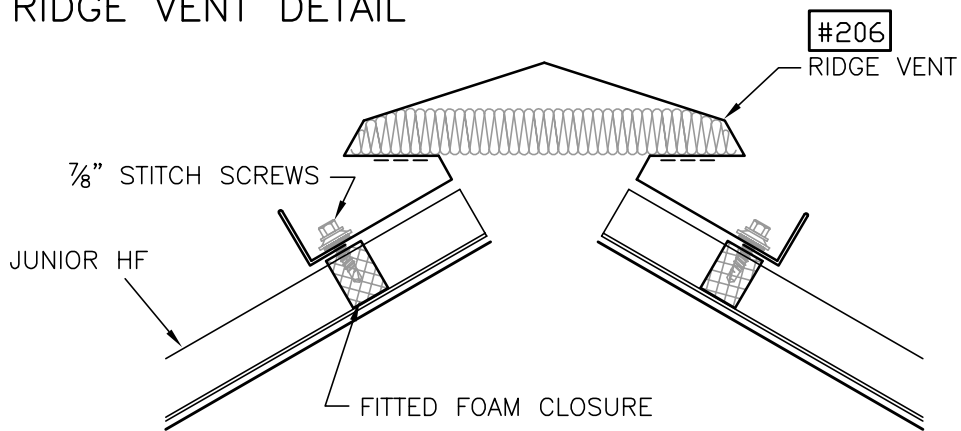


1 1/2" HEX HEAD SCREWS W/NEOPRENE WASHERS

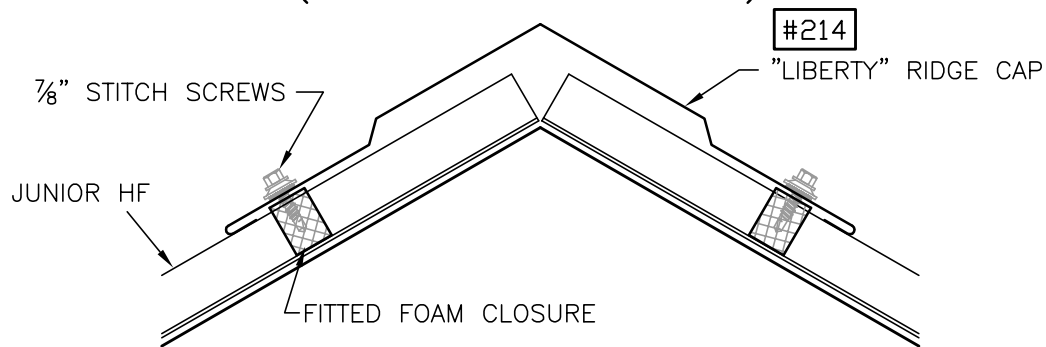
DIRECTION OF APPLICATION
PREVAILING WINDS



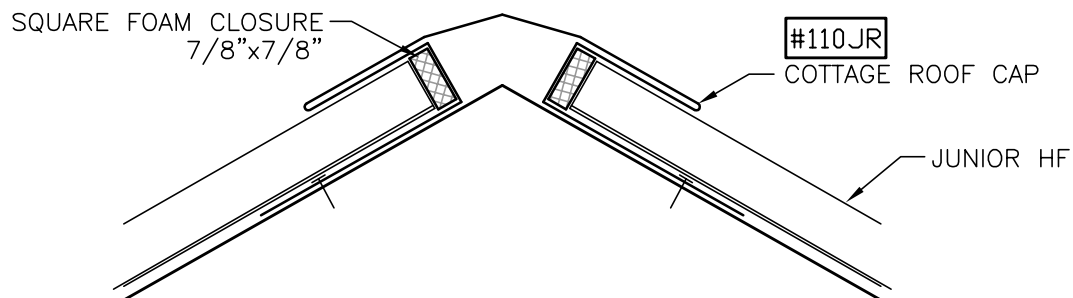
3.1 RIDGE VENT DETAIL



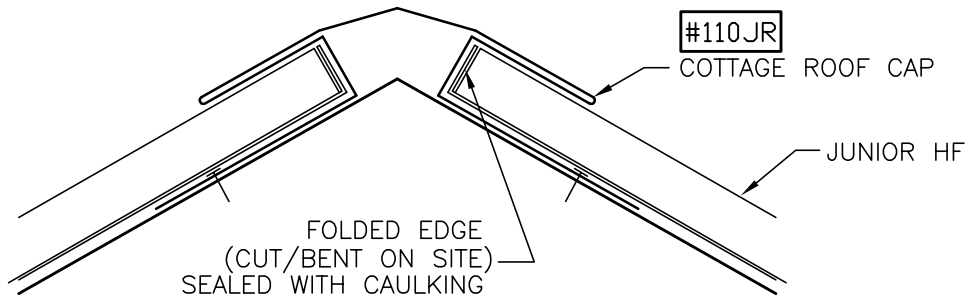
3.2 RIDGE DETAIL (EXPOSED FASTENERS)



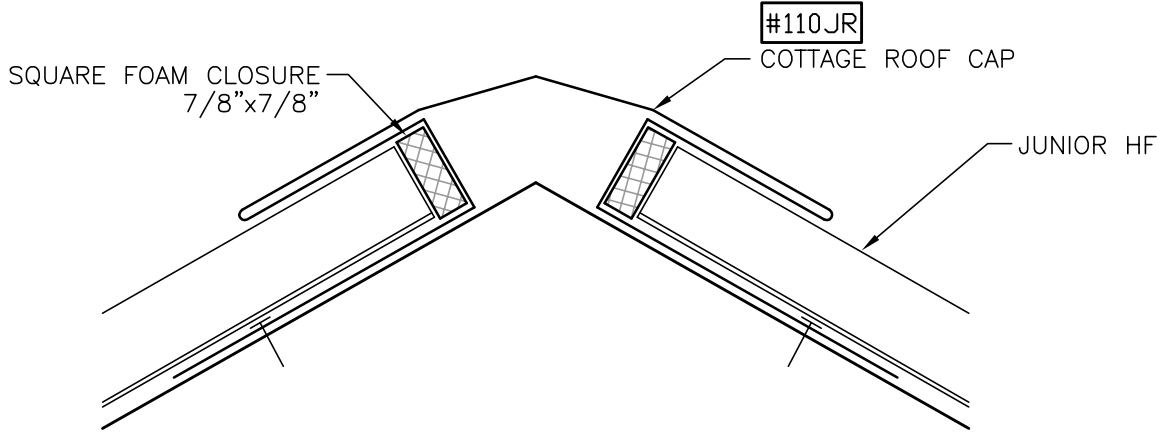
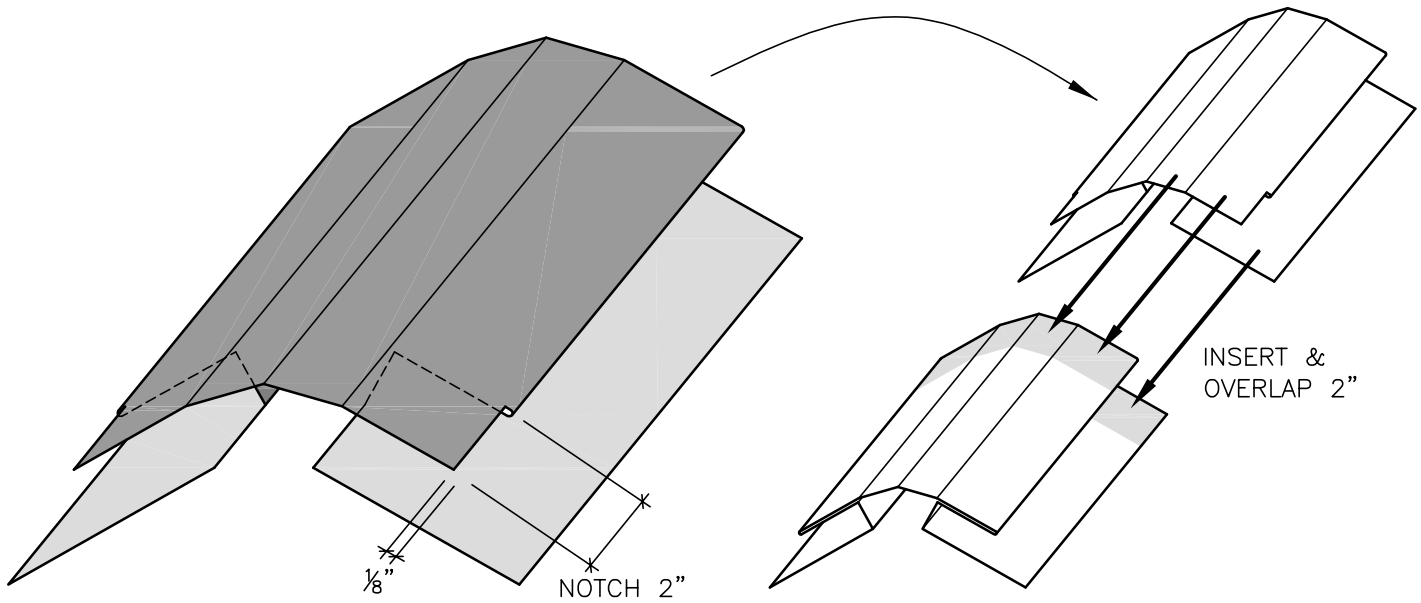
3.3 RIDGE DETAIL (HIDDEN FASTENERS)



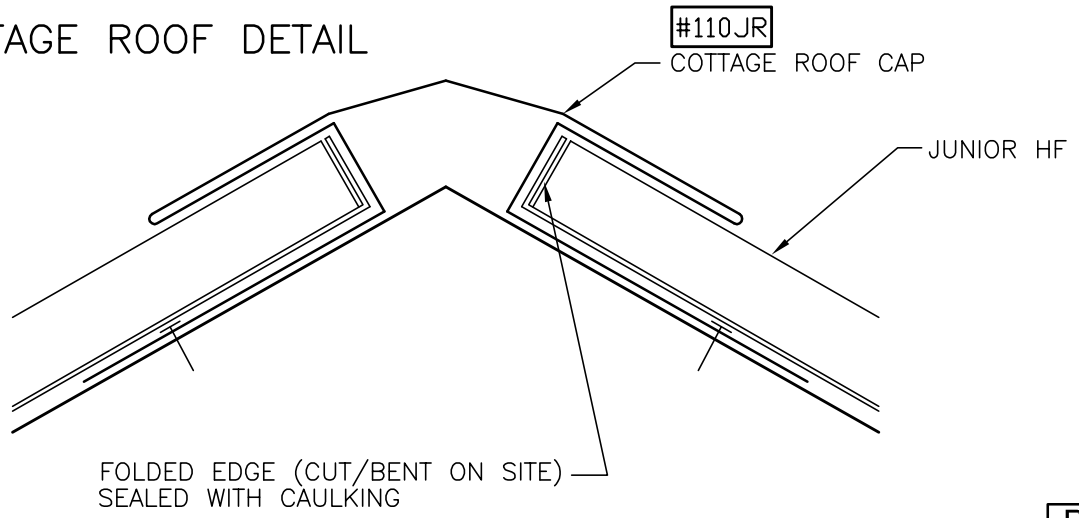
3.4 RIDGE DETAIL (HIDDEN FASTENERS)



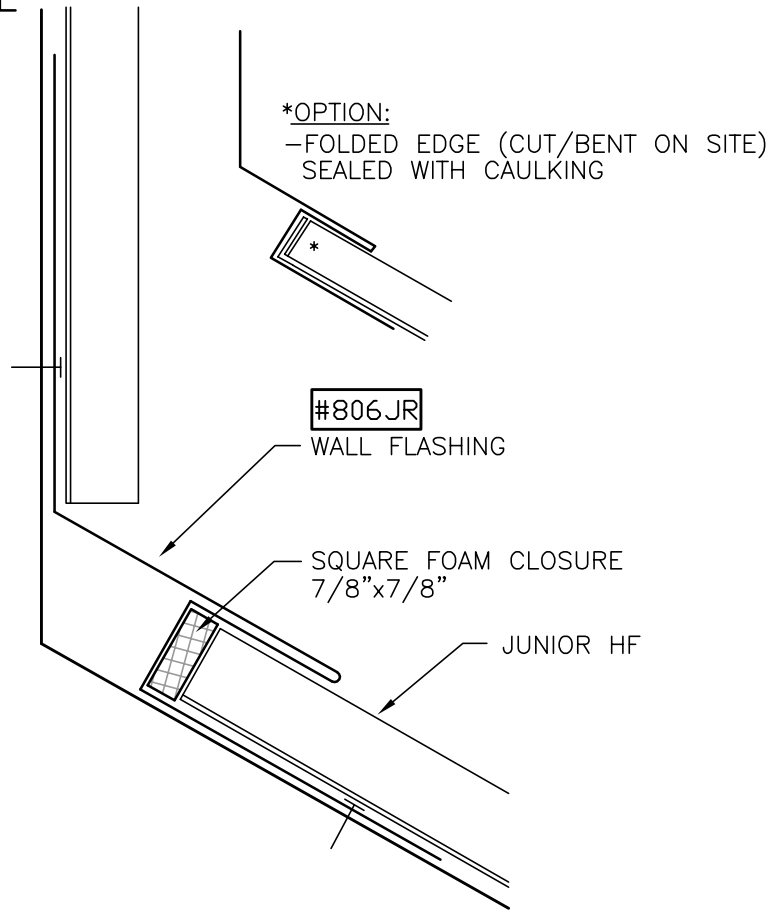
4.1 COTTAGE ROOF DETAIL



4.2 COTTAGE ROOF DETAIL

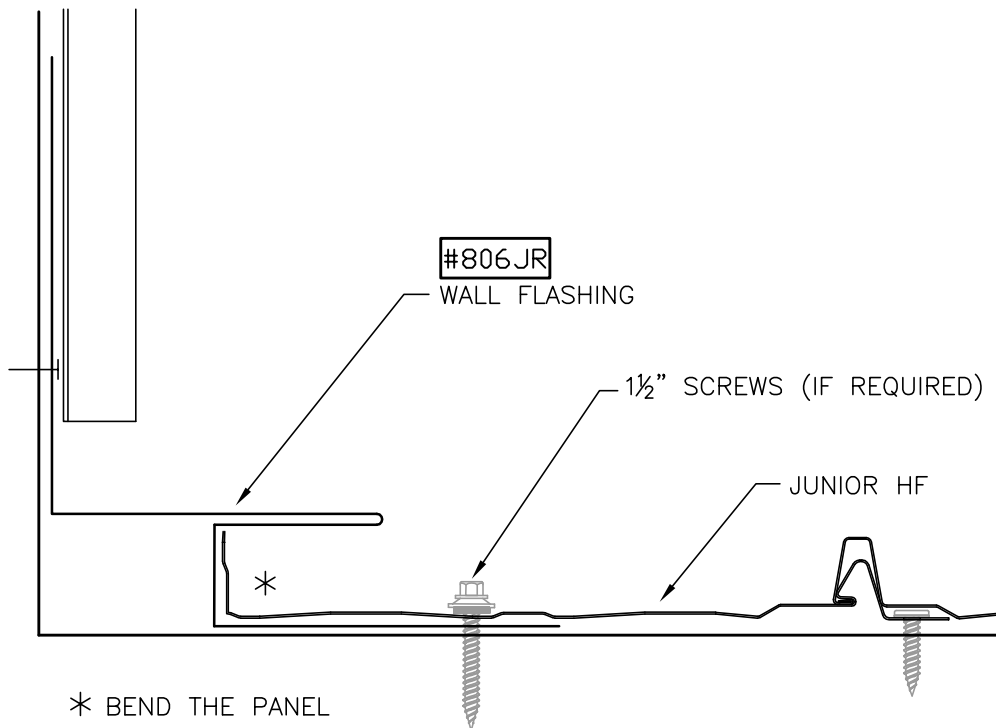


5 WALL & ROOF DETAIL (SLOPED)

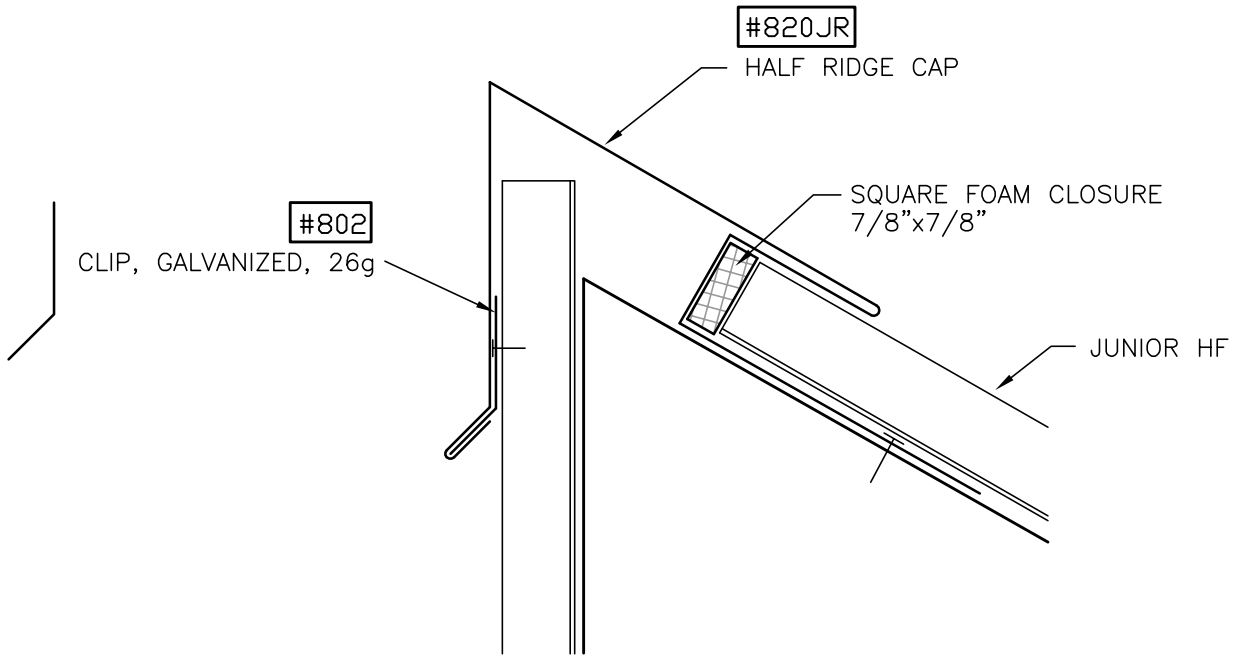


6 WALL & ROOF DETAIL (90°)

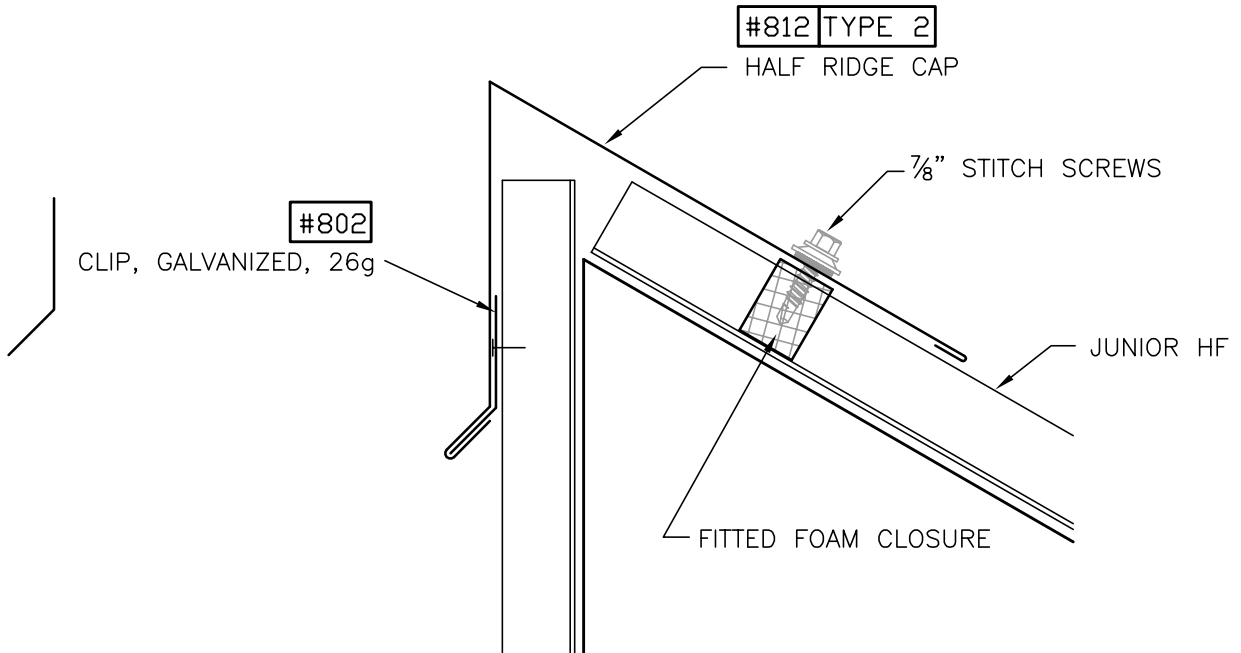
-INSTALL THE WALL FLASHING. BEND THE ROOFING PANEL 90°.
INSERT THE PANEL INSIDE THE WALL FLASHING AND FASTEN.



7.1 HALF RIDGE DETAIL (HIDDEN FASTENERS)
(SHED ROOF)

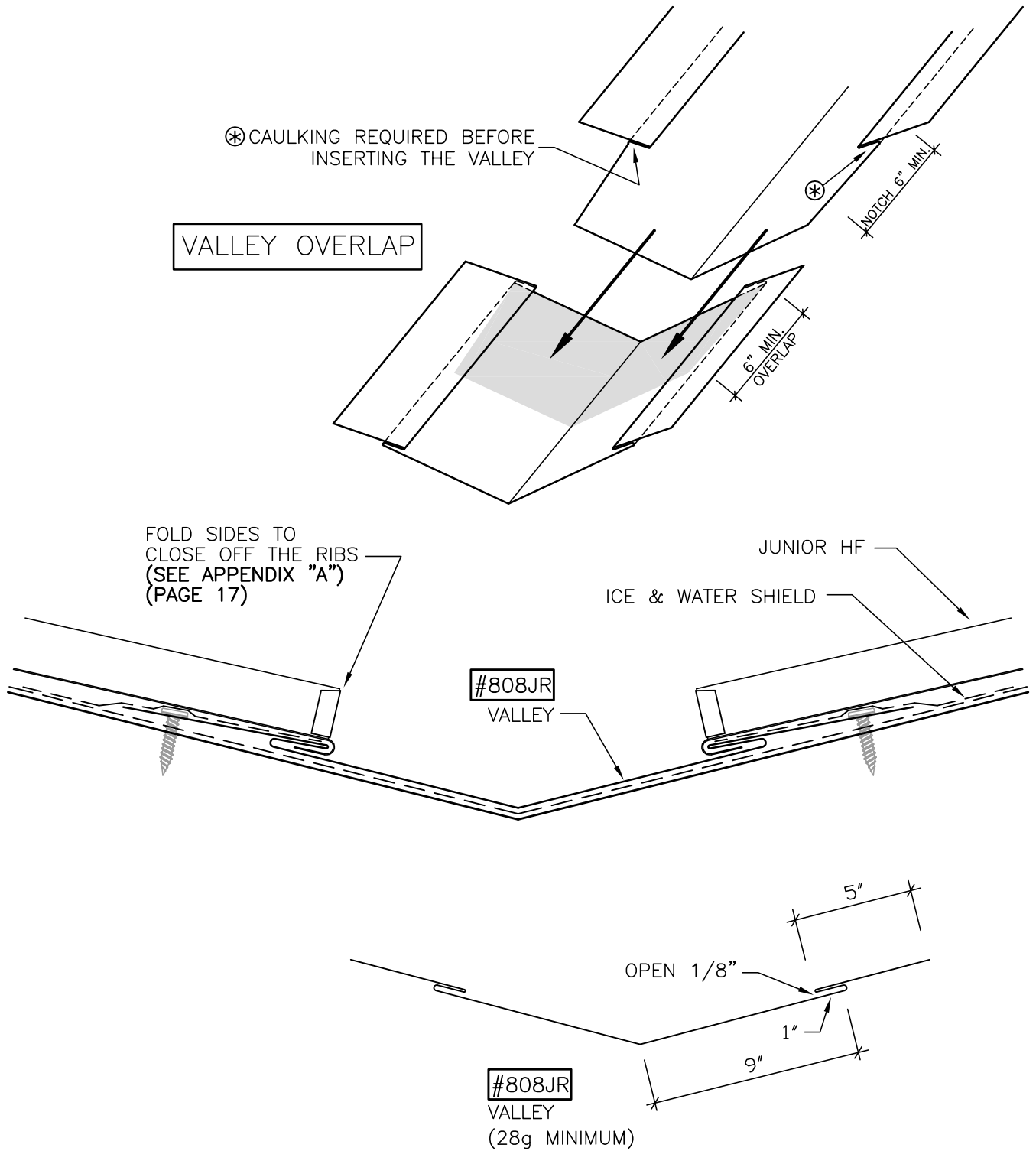


7.2 HALF RIDGE DETAIL (EXPOSED FASTENERS)
(SHED ROOF)



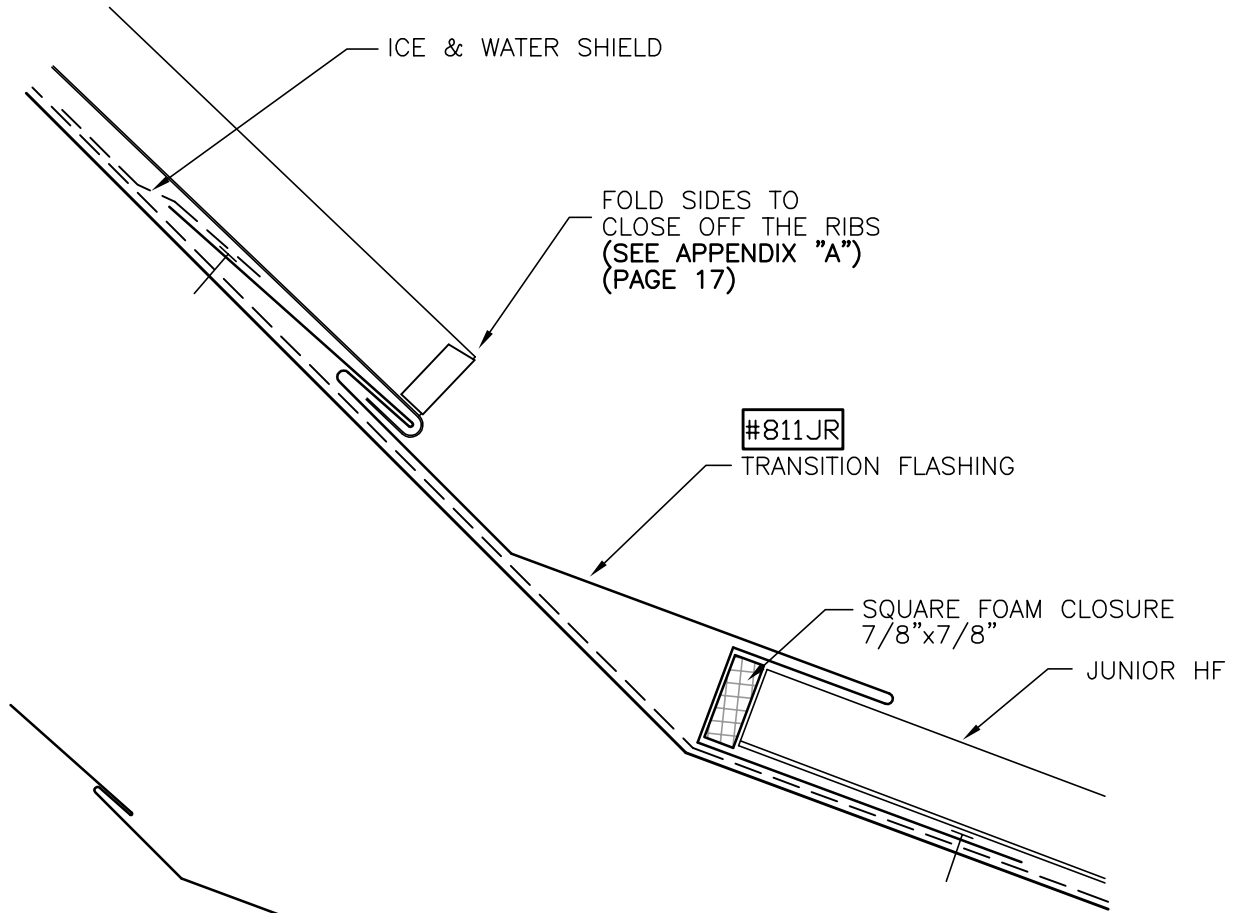
8 VALLEY DETAIL

-ATTACH THE FOLDED EDGE* OF THE PANEL TO THE VALLEY.
*(FOLDED EDGE OF THE PANEL SHOULD BE DONE ON SITE BY THE INSTALLER)

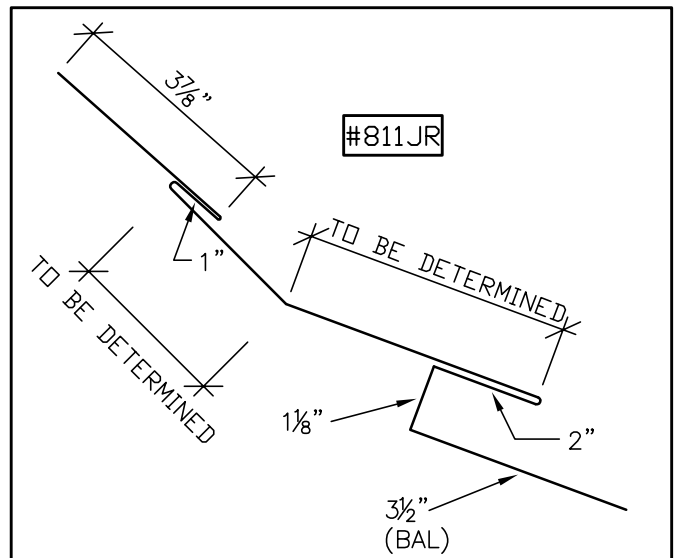


9 TRANSITION DETAIL (high to low pitch)

-ATTACH THE FOLDED EDGE* OF THE PANEL TO THE TRANSITION FLASHING.
 *(FOLDED EDGE OF THE PANEL SHOULD BE DONE ON SITE BY THE INSTALLER)
 DIMENSIONS FOR THE TRANSITION FLASHING SHOULD BE PROVIDED BY THE INSTALLER.



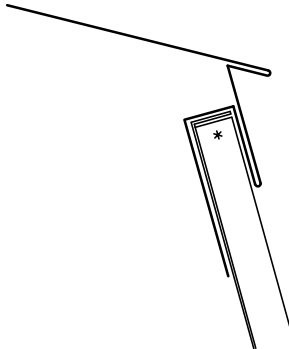
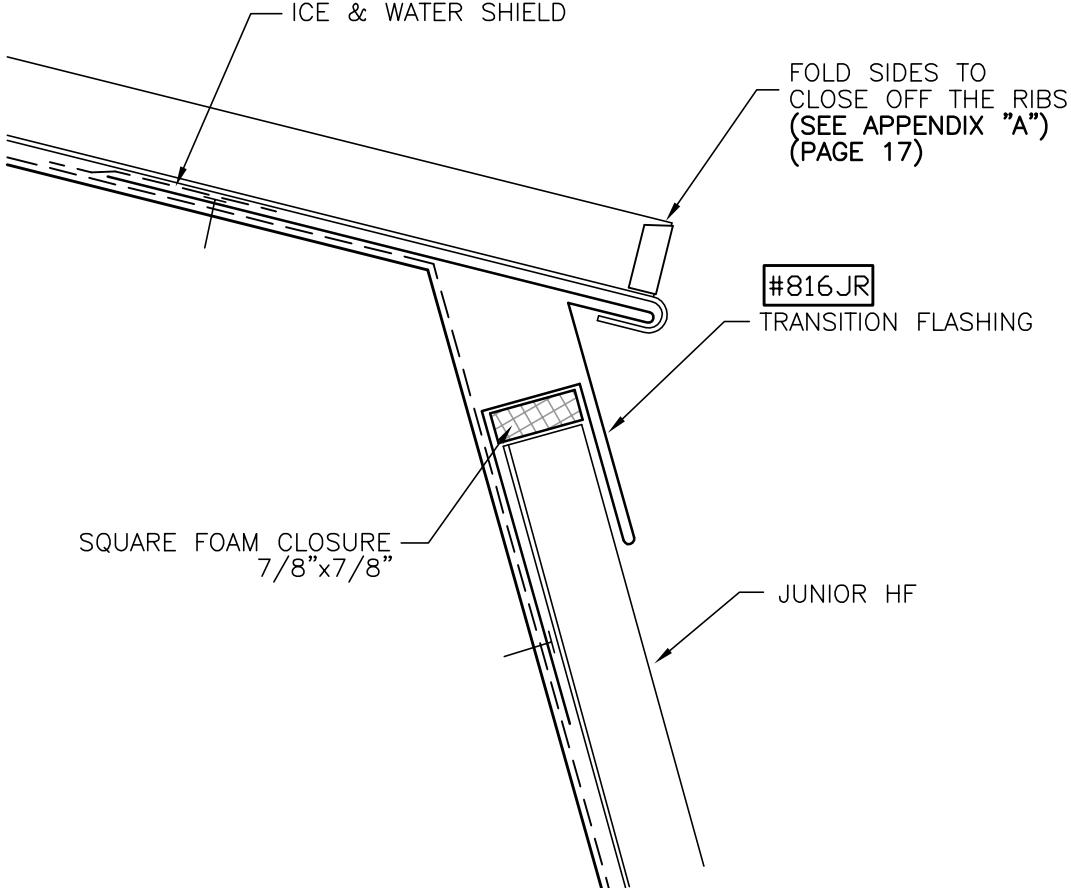
*OPTION:
 -FOLDED EDGE (CUT/BENT ON SITE)
 SEALED WITH CAULKING



10

TRANSITION DETAIL (low to high pitch)

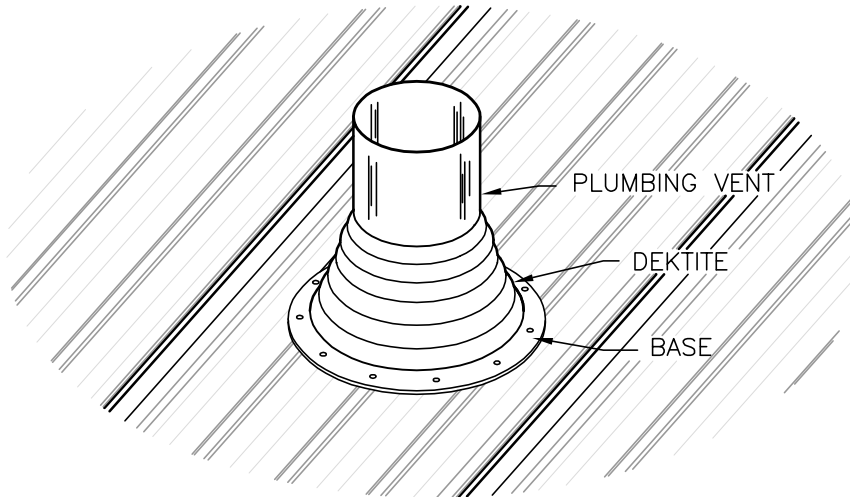
-ATTACH THE FOLDED EDGE* OF THE PANEL TO THE TRANSITION FLASHING.
*(FOLDED EDGE OF THE PANEL SHOULD BE DONE ON SITE BY THE INSTALLER)



*OPTION:
-FOLDED EDGE (CUT/BENT ON SITE)
SEALED WITH CAULKING

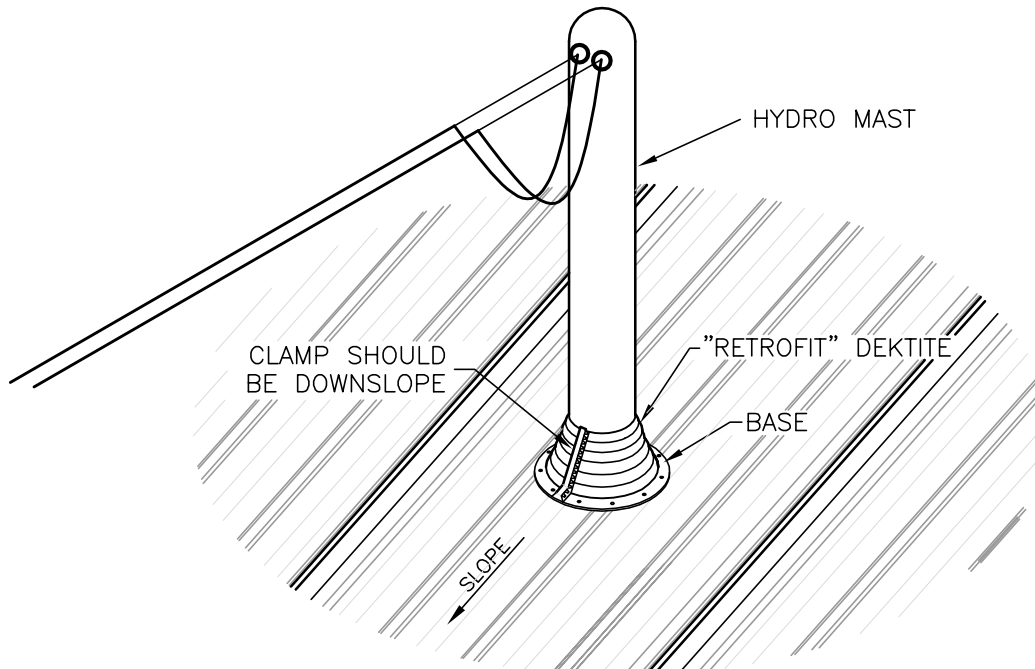
11.1) PLUMBING VENT DETAIL

—ONCE THE ROOFING PANELS ARE INSTALLED, CUT THE "DEKTITE" TO THE APPROPRIATE DIAMETER, AND SLIDE OVER PIPE. SECURE THE DEKTITE'S BASE WITH A SEALANT (BETWEEN THE BASE AND ROOFING) THEN FASTEN.



11.2) ELECTRICAL SERVICE MAST DETAIL

—ONCE THE ROOFING PANELS ARE INSTALLED, CUT THE "RETROFIT DEKTITE" TO THE APPROPRIATE DIAMETER AND INSTALL AROUND THE ELECTRICAL SERVICE MAST. CLAMP THE FLASHING TOGETHER AND SECURE THE BASE WITH A SEALANT (BETWEEN THE BASE AND ROOFING) THEN FASTEN.



FLASHINGS AND TRIMS FOR THE "JUNIOR HF" PANEL

#800

"DANDY" STARTER
(4" GIRTH, 24G, GALVANIZED)

#802

CLIP
(4" GIRTH, 26G, GALVANIZED)
(TRIM TO 2")

#803JR

"CAP"
(FOR THE OVERLAPS, END TO END)
(4" GIRTH) (TRIM TO 2-1/4")

#806JR

WALL FLASHING WITH "J" OPENING
(18" GIRTH) * SPECIFY PITCH

#808JR

VALLEY WITH 1/8" OPENINGS
(30" GIRTH)

#811JR

TRANSITION FLASHING
(high to low pitch)
(A+B+12"=GIRTH) * SPECIFY PITCHES

#812 TYPE 2

HALF RIDGE CAP
(12" GIRTH) * SPECIFY PITCH

#813

GABLE TRIM
(12" GIRTH)

#815

EAVE STARTER
(9" GIRTH) * SPECIFY PITCH (MAX. PITCH 12/12)

#816JR

TRANSITION FLASHING
(low to high pitch)
(18" GIRTH) * SPECIFY PITCHES

#820JR

HALF RIDGE CAP
(18" GIRTH) * SPECIFY PITCH

#213JR

GABLE END CAP FOR JUNIOR HF
(A+B+4 1/2" = GIRTH)

#110JR

COTTAGE ROOF CAP FOR JUNIOR HF
(24" GIRTH)

#206

RIDGE VENT

#214

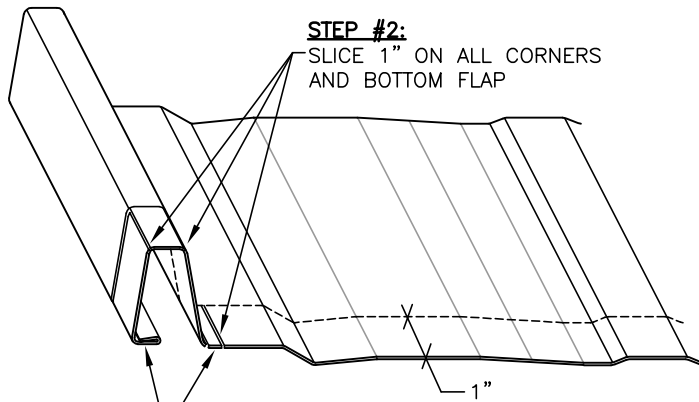
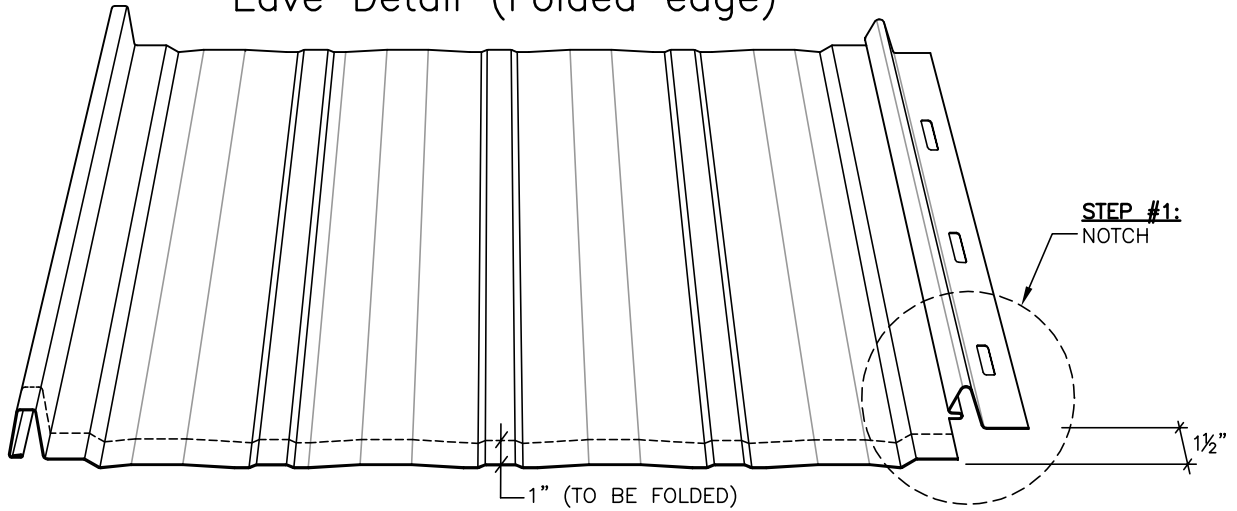
"LIBERTY" RIDGE CAP
(15" GIRTH)

#414

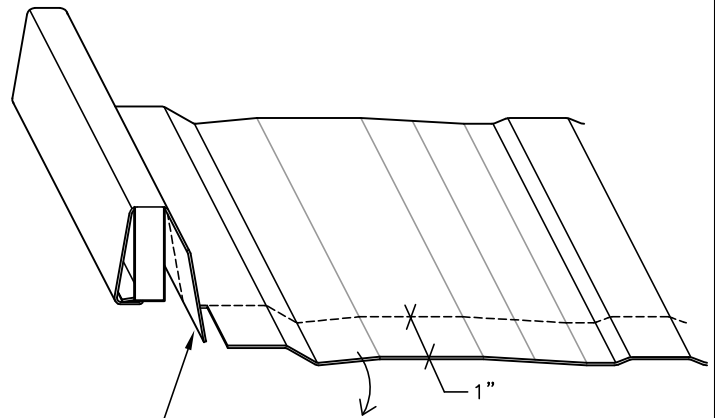
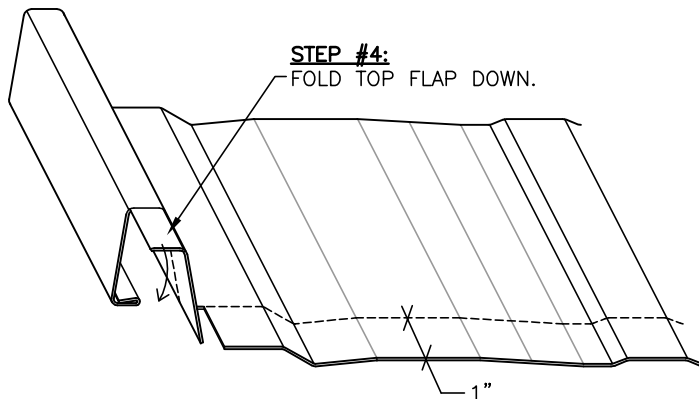
STEEL ROOFING DRIP EDGE
(6" GIRTH) * SPECIFY PITCH

Appendix "A"

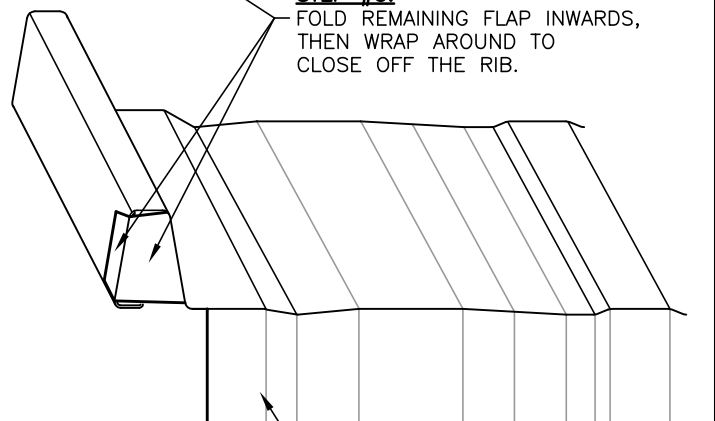
Eave Detail (Folded edge)



STEP #3:
CUT OUTER AND BOTTOM FLAP AND
DISCARD.



STEP #5:
FOLD REMAINING FLAP INWARDS,
THEN WRAP AROUND TO
CLOSE OFF THE RIB.

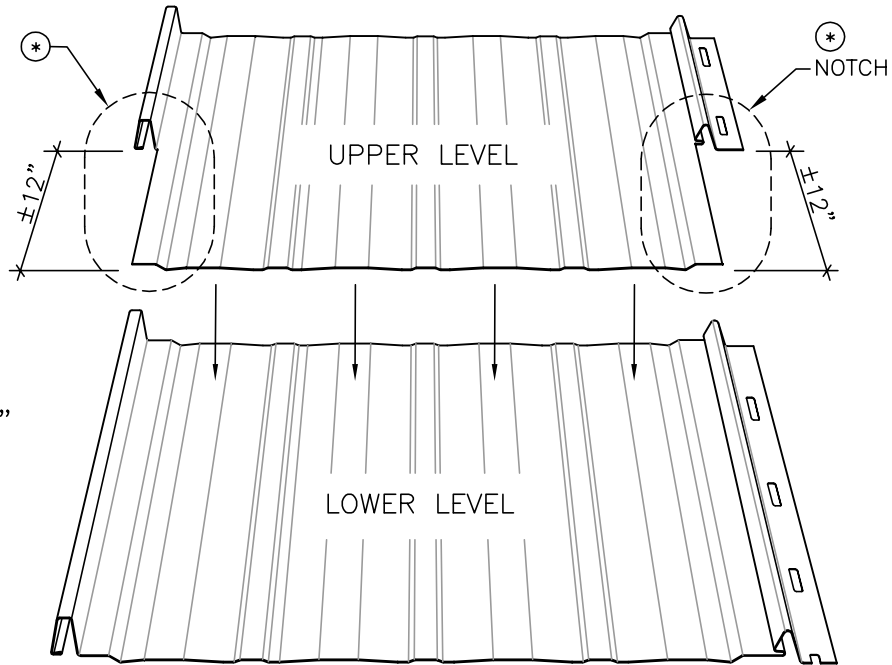


STEP #6:
FLATTEN DOWN STIFFENER RIBS,
FOLD DOWN THE 1" PORTION
AROUND THE #815 EAVE STARTER

#815
EAVE STARTER

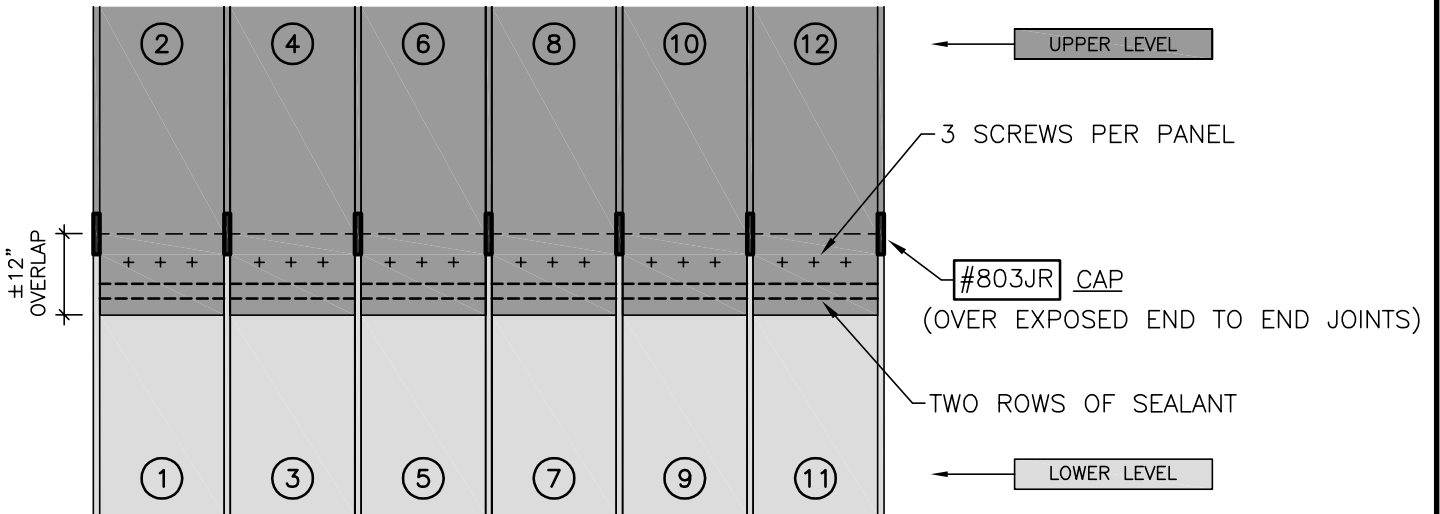
Appendix "B"

JUNIOR HF PANEL OVERLAP, END TO END

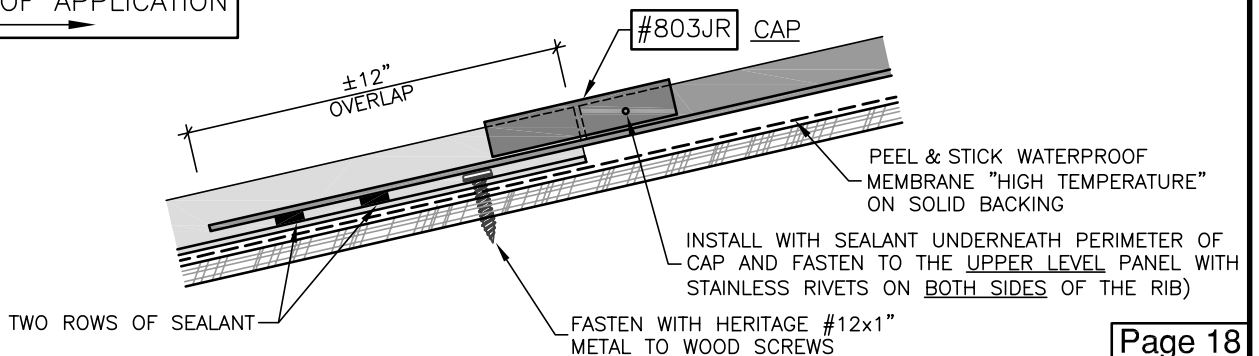


A CAP FOR THE JOINTS (INSTALL ON TOP OF THE NOTCHED RIBS WITH A SEALANT AND FASTEN TO THE UPPER LEVEL PANEL WITH STAINLESS RIVETS ON BOTH SIDES OF THE RIB)

ALIGNED JOINTS



DIRECTION OF APPLICATION →



Appendix "B" (continued)
JUNIOR HF PANEL OVERLAP, END TO END

STAGGERED JOINTS

