

The “**Ideal Guard**” helps protect against falling ice and snow. It can be installed on any type of roof (metal, asphalt shingles, slate and cedar shakes.)

Components

Bracket: 1/8” (3.2mm) thick galvanized G-90 steel with 1 3/8” (35mm) diameter holes inserted with a plastic grommet. Each **bracket** includes #14x2 HHA screws with neoprene washers.

Tube: 1/16” (1.5mm) thick galvanized G-90 steel, 1” (25.4mm) diameter by 4’ (1.21m) long with an insert tip of 3” (75mm) therefor; 45” (1.14m) usable length.

Availability

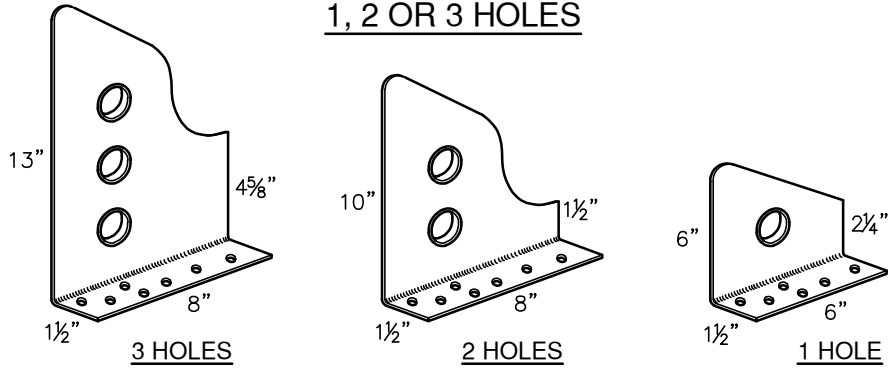
Available in galvanized finish and all standard colors.

Installation

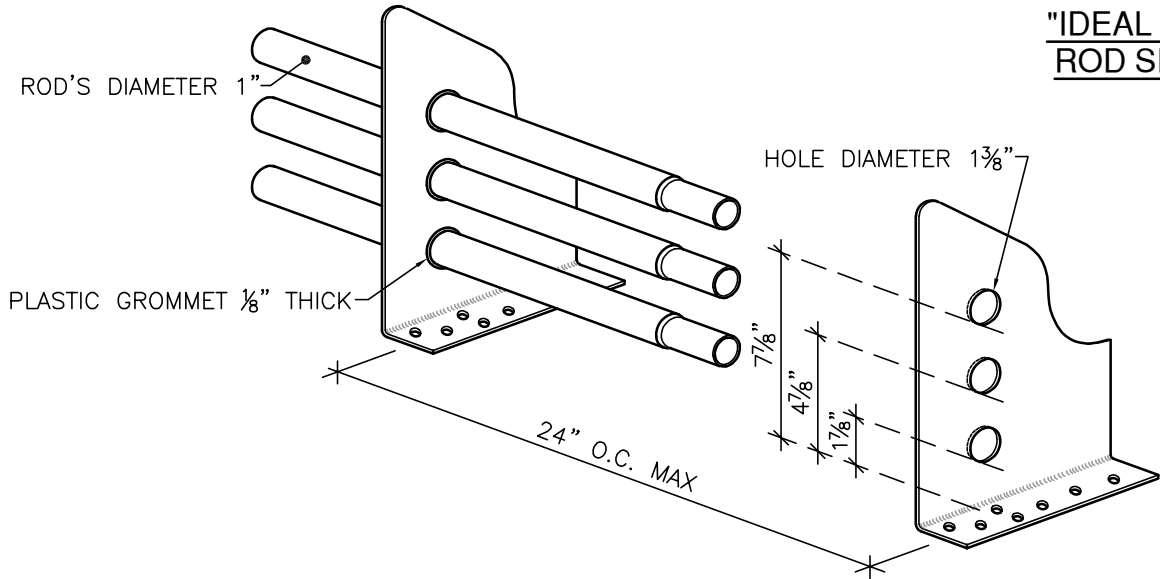
Anchoring the “**Ideal Guard**” brackets is essential to the performance of the system. Snow and ice exert pressure on the screws thus, the need to have a very solid substrate is important. The spacing of the brackets should not exceed 24” O.C.



AVAILABLE BRACKETS:
1, 2 OR 3 HOLES



"IDEAL GUARD"
ROD SPACING



"IDEAL GUARD"
TYPICAL INSTALLATION
(FASTENED TO WOOD)

NOTE:
IN THE CASE OF A ROOF WITH A STEEL STRUCTURE, CONSULT A STRUCTURAL ENGINEER FOR THE PROPER INSTALLATION METHOD.

