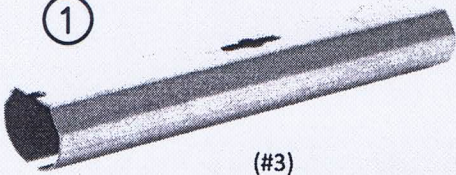




**ideal roofing**  
Company Limited, Manufacturers  
**idéal revêtement**  
Compagnie Limitée, Manufacturiers  
1415, rue Michael St., Ottawa, ON K1B 3R2

## Round Track Sliding Doors Accessories

①



(#3)

Slotted track

②



(#3-BC)

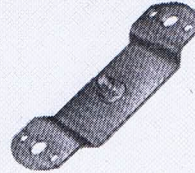
Side Mount Bracket

③



(#3-EB)

End Plug



(#3-AC)

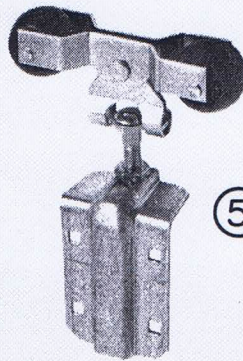
Top Mount Bracket



④

(#303-T)

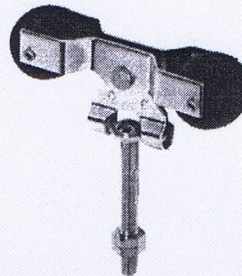
Offset Bolt Hanger



⑤

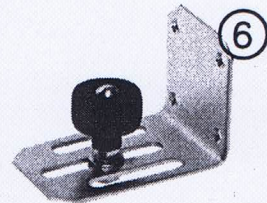
(#203-L)

Wood Frame Hanger



(#103-T)

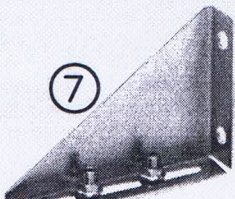
Trolley Hanger



⑥

(#800)

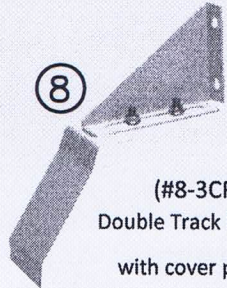
Stay Roller



⑦

(#8-3C)

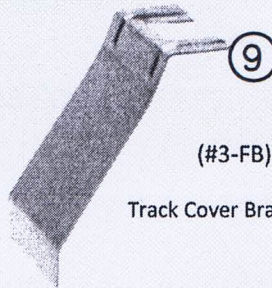
Double Track Bracket



⑧

(#8-3CFB)

Double Track Bracket  
with cover plate



⑨

(#3-FB)

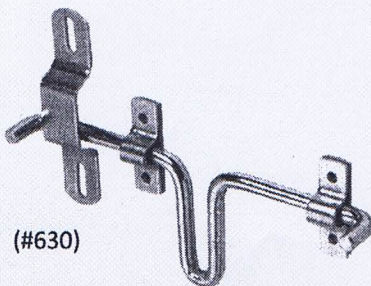
Track Cover Bracket



⑩

(#SC-3)

Splice Collar



(#630)

Horse Stall Latch



(#537)

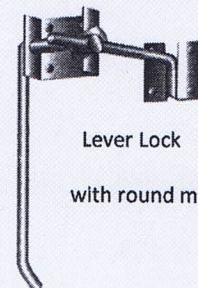
Door Binder Stop



⑫

(#50-3)

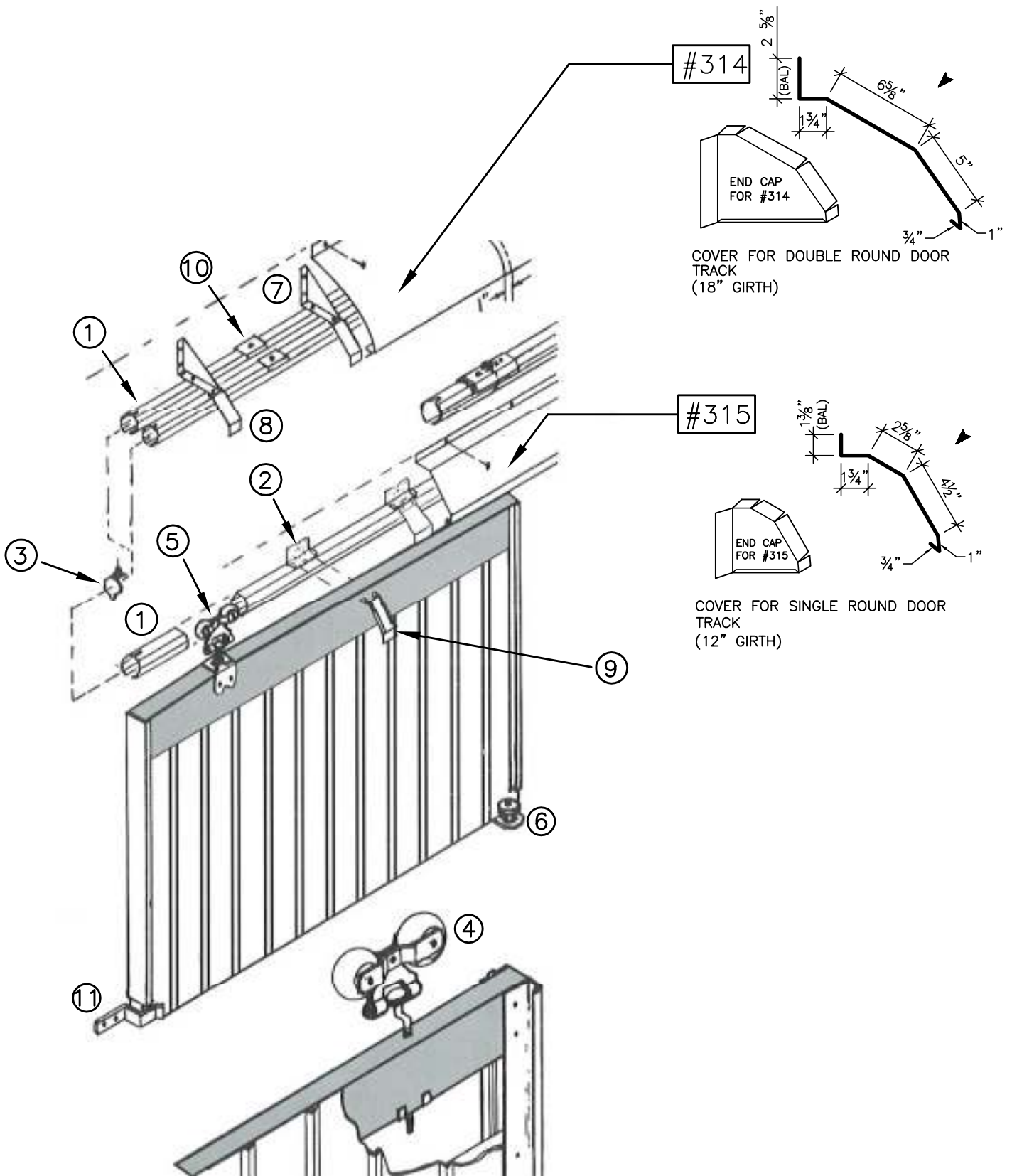
Door Pull



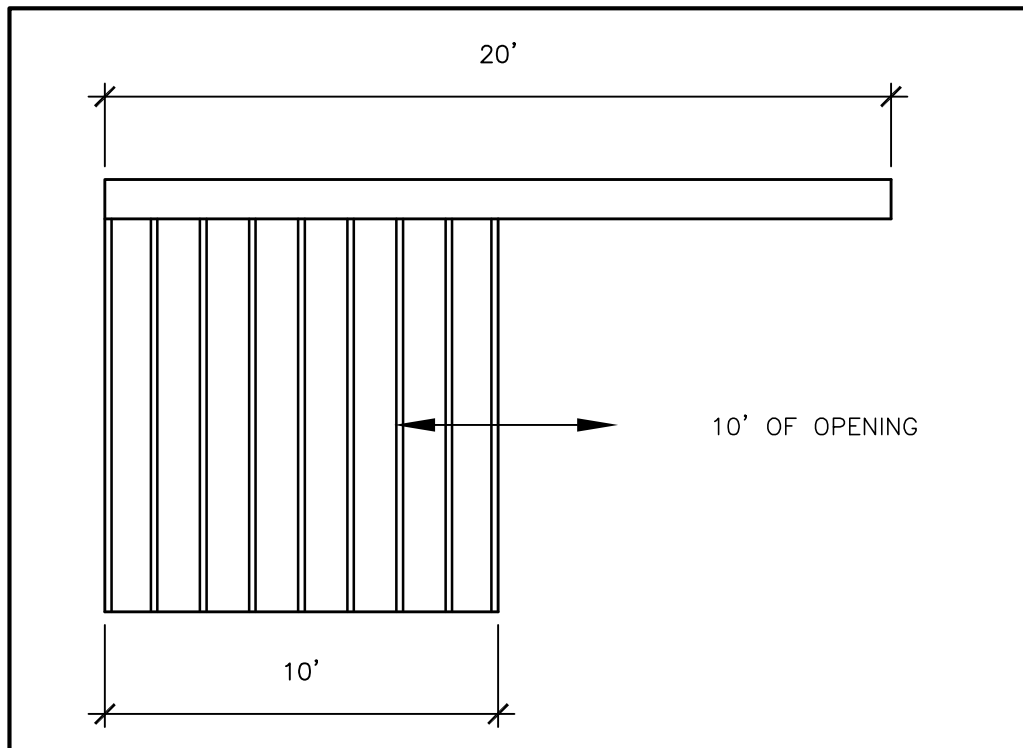
Lever Lock

with round mount bracket

# Round Track Sliding Doors Accessories



**Example:**



- ① – 20', Single Track (1 pc of 20'). (Available in 8', 10', 12', 16' & 20').
- ② – 11 pcs, Side mount brackets (1 every 2 feet).
- ③ – 2 pcs, End plugs (1 on each end of the track).
- ⑤ – 2 pairs, Wood Hangers (1 every 3 feet, depending on the weight of the door).  
(Available in pairs only.)
- ⑥ – 1 pc, Stay Roller.
- ⑨ – 11 pcs, Track Cover brackets (same amount as the side mount brackets).
  - 20 ft, Track Cover (for Single track).  
(See flashing #315 or #314 for double Track.)
  - 2 pcs, End Caps for Track Cover #315 (1 left & 1 right).
- ⑩ – Splice Collar not needed for this exemple, since a 20' long track was used.
- ⑪ – 1 pc, Door Binder Stop.
- ⑫ – 1 pc, Door Pull (handle).