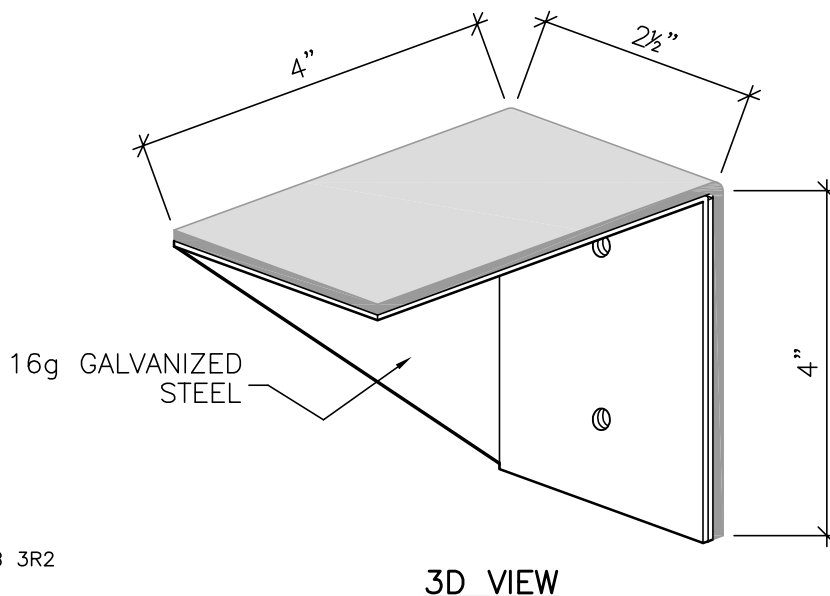
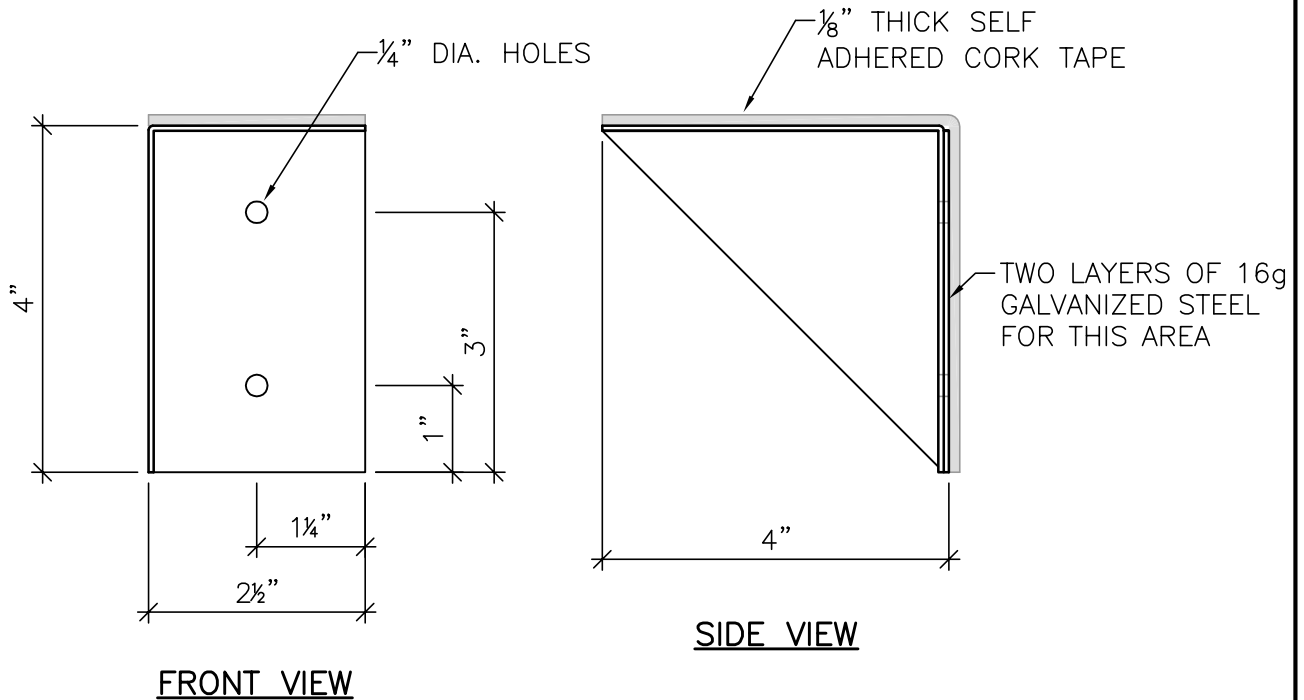
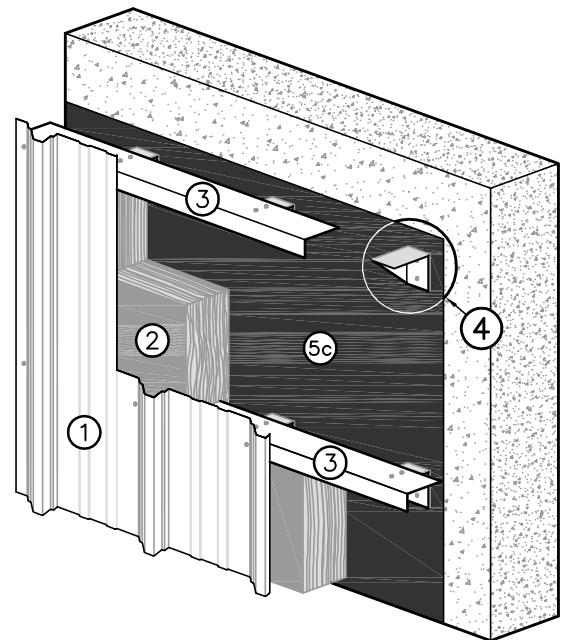
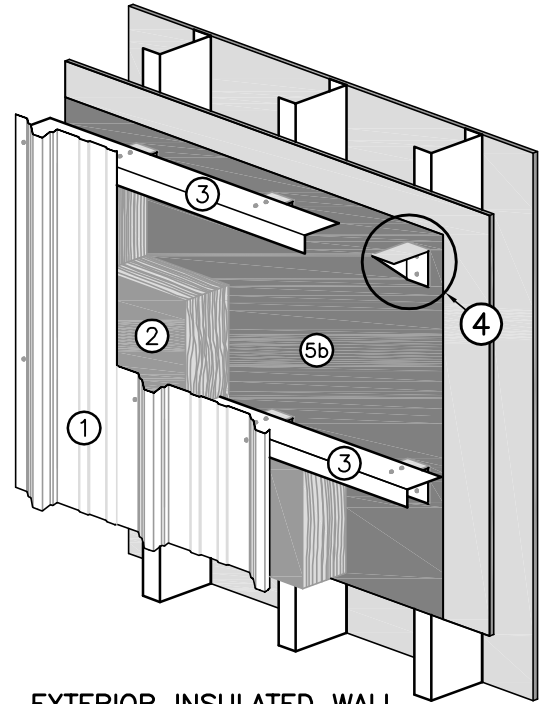
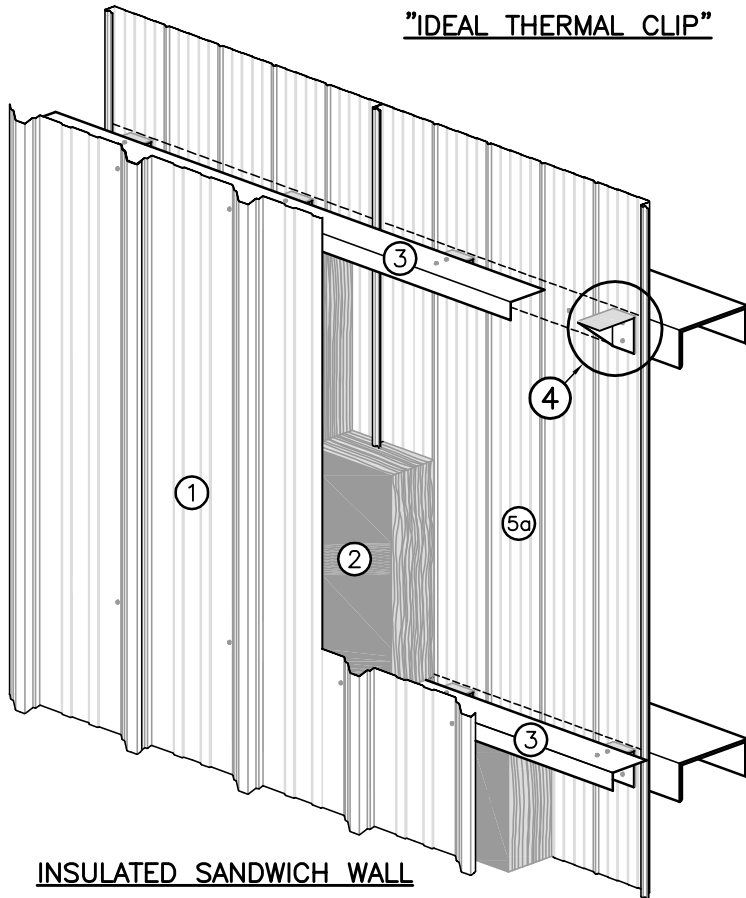
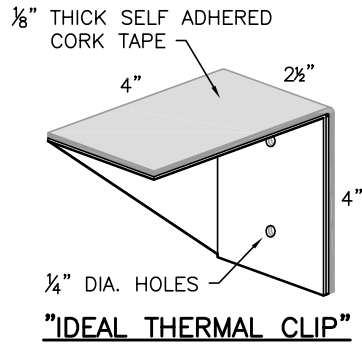


Ideal Thermal Clip

The "Ideal Thermal Clips" provides support for cladding panels while acting as a thermal break in exterior insulated walls. It is made with 16 gauge galvanized steel lined with a cork tape, a natural material known for its insulating properties. Their installation is done with "L" bars and are positioned to fit the thickness of the insulation panels, and can support vertical and horizontal cladding installations in a variety of wall compositions. In addition to preventing thermal bridging in order to achieve energy saving goals, the cork tape is a sustainable choice as it comes from a renewable resource.





"IDEAL THERMAL CLIPS" USED WITH
VARIOUS TYPES OF EXTERIOR WALLS:

- ① Exterior steel siding
 - ② Semi-rigid insulation
 - ③ "L" Bar
 - ④ "IDEAL THERMAL CLIP"
-
- ⑤a "Supreme Interior Liner"
on horizontal structural girths
 - ⑤b Air barrier membrane on gypsum sheathing
and steel studs
 - ⑤c Membrane on concrete wall