

IDEAL SNOW STOP

1- Spacing

- "Ideal Snow Stop" can be installed along the eaves, in areas where falling ice & snow is a concern.
- Install the "Ideal Snow Stop" at about 12" from the eave and about 12" between 2 rows (staggered).

2- Installation

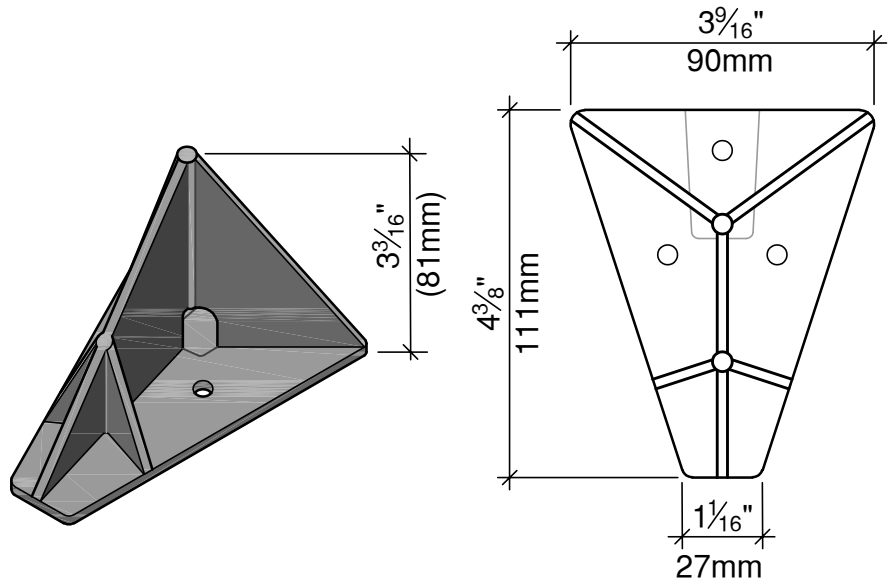
- Spread bead of sealant evenly underneath the Ideal Snow Stop's base.
- Place the "Ideal Snow Stop" in position on metal surface by applying light and even pressure. Ensure solid backing underneath the "Ideal Snow Stop".
- Use screws with neoprene washers through holes in the "Ideal Snow Stop" and tighten to cause approximately 50% compression in neoprene washers.
- Three screws to be used per "Ideal Snow Stop".

3- Materials

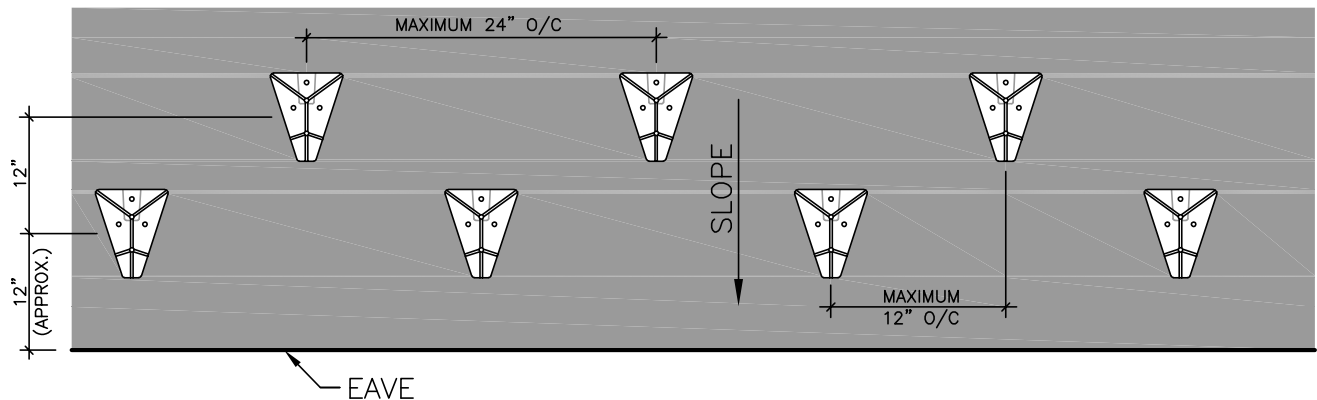
Aluminum	85.67%
Silicon	10.4%
Copper	1.683%
Zinc	0.965%
Iron	0.874%
Magnesium	0.296%
Manganese	0.201%

AVAILABLE COLOURS:

- Black ID 8262
- Dark Brown ID 8229
- Charcoal ID 8306
- Midnight Black ID 193
- Tile Red ID 8259
- Forest Green ID 8307
- Slate Blue ID 8260
- Metallic Grey ID 7500



Suggested Layout:



NOTE: For longer rafters, more than two rows (Ideal Snow Stop) may be required.